

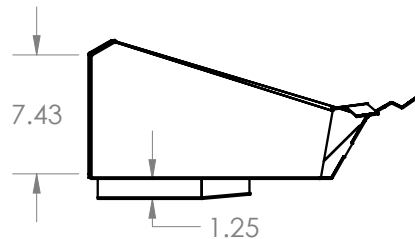
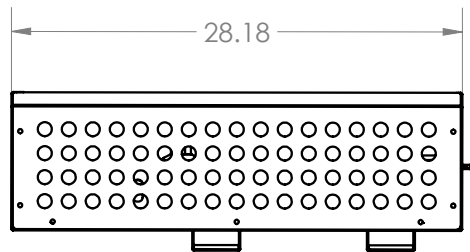
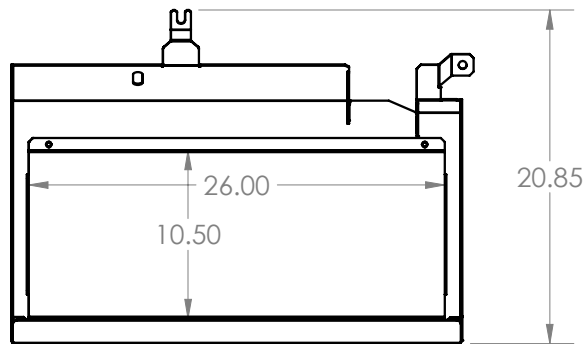
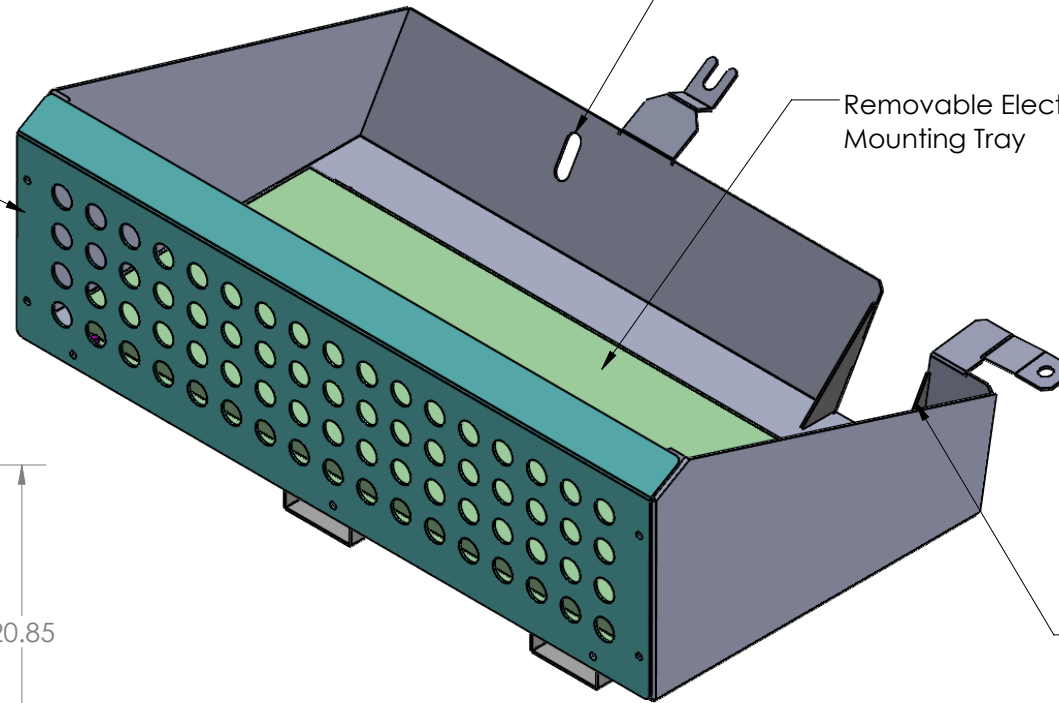
REV.	DESCRIPTION	DCR	BY	DATE	APPROVED

Easily Removable Front

Mounting Location for Tire Crank

Removable Electronics Mounting Tray

Wire Routing Location



	NAME	DATE	<b>ELECTRONICS CO.</b>	DANDR-ANSI-A	SIZE
DRAWN	IM	04JUNE20		REV2	<b>A</b>
CHECKED	AD	04JUNE20	Path: M:\MECH_DESIGN\IM Design\934-XXXXA - 2019 Silverado Underseat Electronics\ File: 934-XXXXA Date: June 4, 2020 1:45:15 PM		
THE INFORMATION CONTAINED WITHIN THIS DRAWING IS PROPRIETARY AND CONFIDENTIAL. AND IS THE SOLE PROPERTY OF DandR ELECTRONICS CO. LTD. IT MAY NOT BE REPRODUCED AT WHOLE OR IN PART WITHOUT THE WRITTEN PERMISSION OF DandR ELECTRONICS CO. LTD.			DESCRIPTION: <b>2020 Silverado Underseat Electronics Box</b>		
FINISH			MFG. NO.	CATALOG. NO.	
BLACK SEMI-GLOSS			<b>934-XXXXA</b>	XXX	
			USED ON:		SHEET 1 OF 1
			9XX-XXXX		
			MATERIAL		REV.
			XX		<b>0</b>