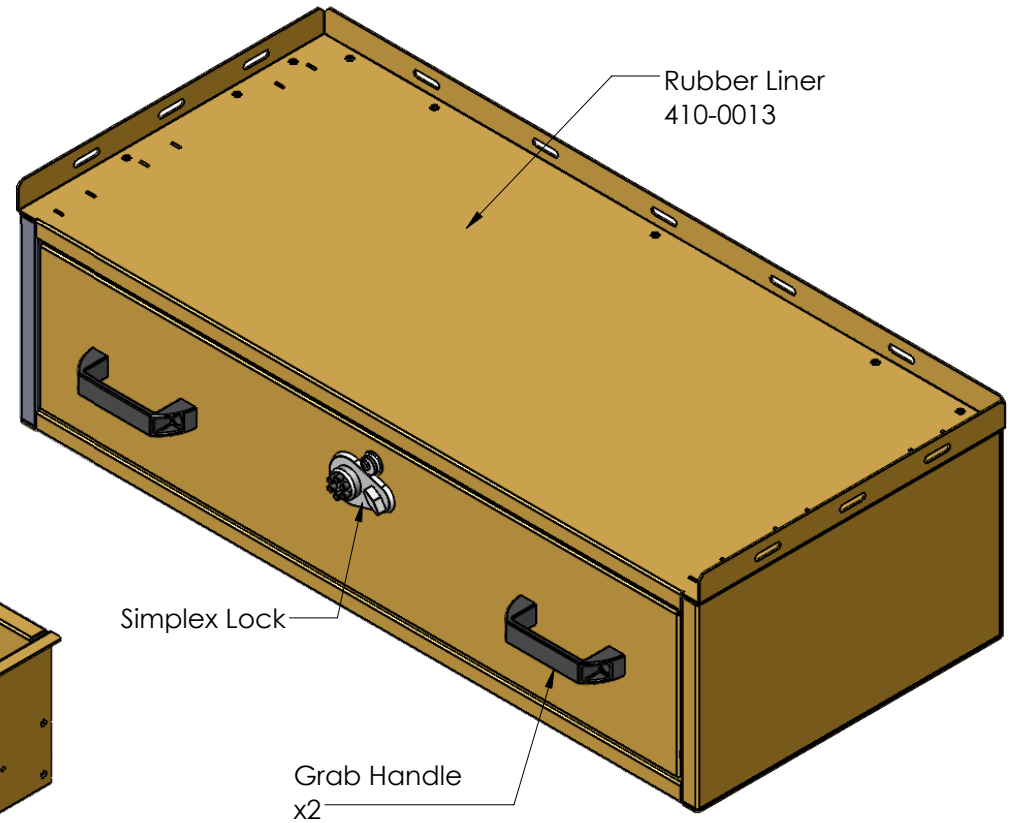
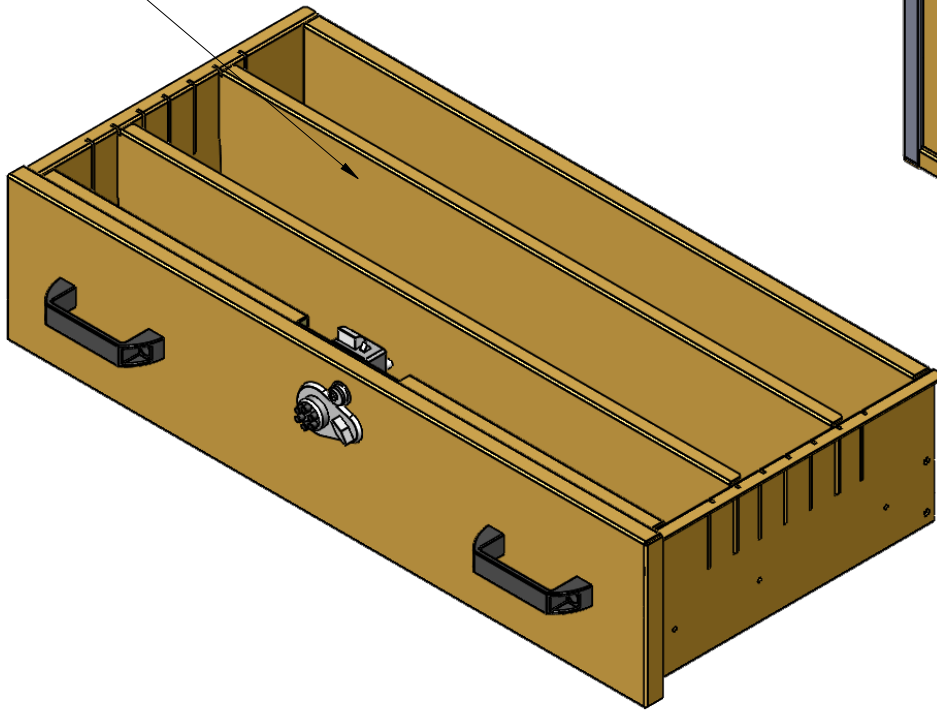


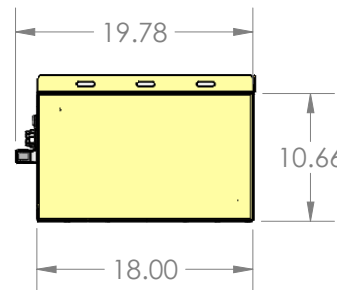
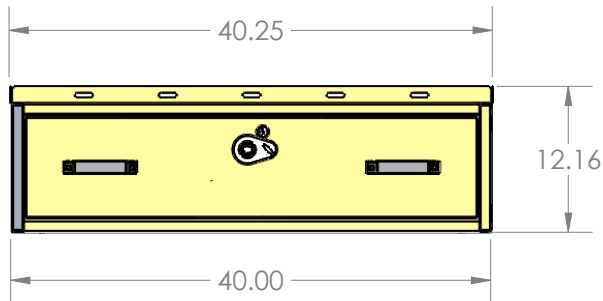
REV.	DESCRIPTION	DCR	BY	DATE	APPROVED

**DRAWER INSIDE DIMENSIONS:
36.25" W x 7.72" H x 14.66" D**

Horizontal Dividers
834-2655A
x2



**1 PAIR OF 16" SLIDES
ACCURIDE**



NAME	DATE	 DANDR-ANSI-A REV2 APRIL 1, 2009	SIZE
DRAWN MS	19MAR20		A
CHECKED AD	19MAR20	Path: M:\MECH_DATA\934-Files\934-0888A - Simplex Single Cabinet 40x18x10 5-8 File: 934-0888A Date: Monday, March 23, 2020 10:22:42 AM	
THE INFORMATION CONTAINED WITHIN THIS DRAWING IS PROPRIETARY AND CONFIDENTIAL AND IS THE SOLE PROPERTY OF DandR ELECTRONICS CO. LTD. IT MAY NOT BE REPRODUCED AT WHOLE OR IN PART WITHOUT THE WRITTEN PERMISSION OF DandR ELECTRONICS CO. LTD.		DESCRIPTION:	
		Simplex Single Cabinet 40x18x10 5/8	
MFG. NO.	934-0888A	CATALOG. NO.	XXX
USED ON:	9XX-XXXX	SHEET 1 OF 1	
FINISH	BLACK MIDNIGHT WRINKLE	MATERIAL	0.091" ALUM
		REV.	0