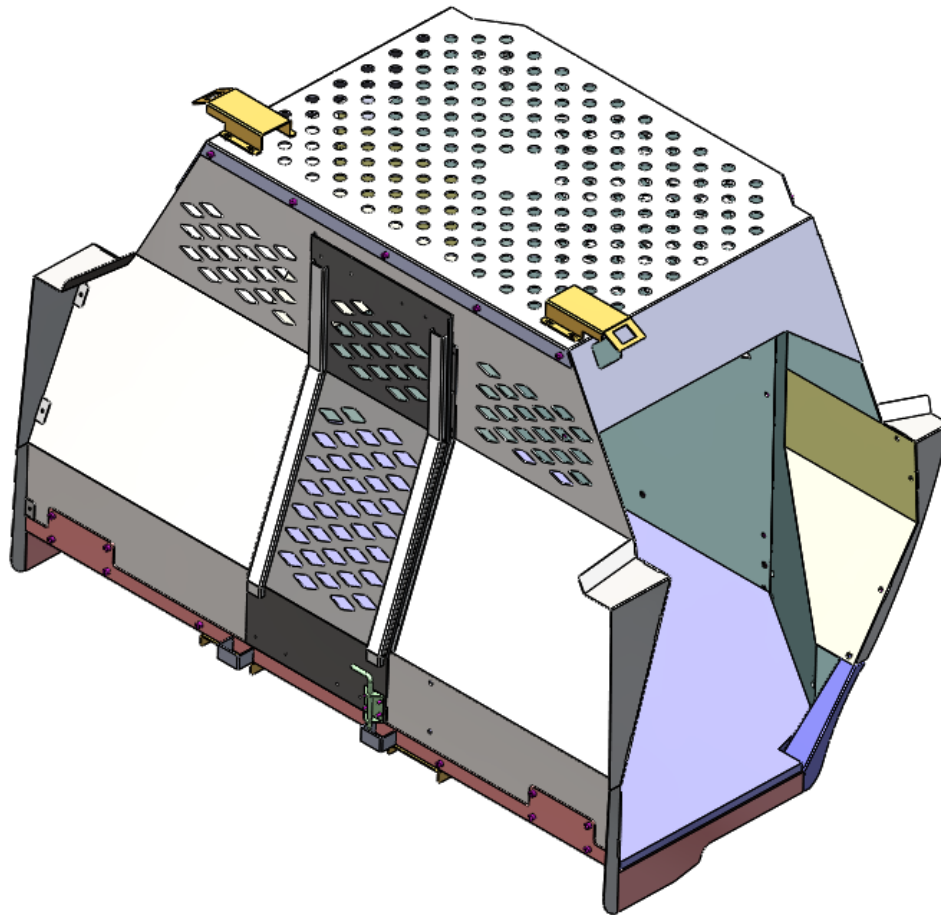


# 2020 Utility K-9 Kennel

## Installation Manual

### (934-0887A, B & C)



Content	Page
Hardware List	2
Assembly Overview	3-5
Installation Instructions	6-12
Warranty & Return Policy	13

## Hardware List

Part Number	Description	Qty
401-0222	1/4-20 Countersink 3/4" Screws	52
401-0064	10-32 Countersink 5/8" Screws	14
401-0043	1/4-20 Carriage Bolt 3/4"	8
402-0049	1/4-20 Acorn Nuts S.S	14
403-0005A	1/4" Flat Washer	14
403-0010	1/4" Lock Washer	14
411-0118	#10 Self Tapping Screws	12

## Component List

Item Number	Part Number	Description	Qty
A	834-4531A	K-9 Base	1
B	834-4632A	K-9 Front Wall	1
C	834-4593A	K-9 Back Wall	1
D	834-4596A	K-9 Top	1
E	834-4597A	Roof Mounting Bracket	2
F	834-4635A	Front Filler Panel DS	1
G	834-4636A	Front Filler Panel PS	1
H	834-4600A	Rear Filler Panel DS	1
I	834-4601A	Rear Filler Panel PS	1
J	834-4602A	K-9 Subframe	1
K	834-4603A	K-9 Front Kennel Door	1
L	834-4633A	Door Skin DS	1
M	834-4634A	Door Skin PS	1
N	834-4615A	Door Skin Guard DS	1
O	834-4616A	Door Skin Guard PS	1
P	834-4637A	Optional Door Divider	1

Front View

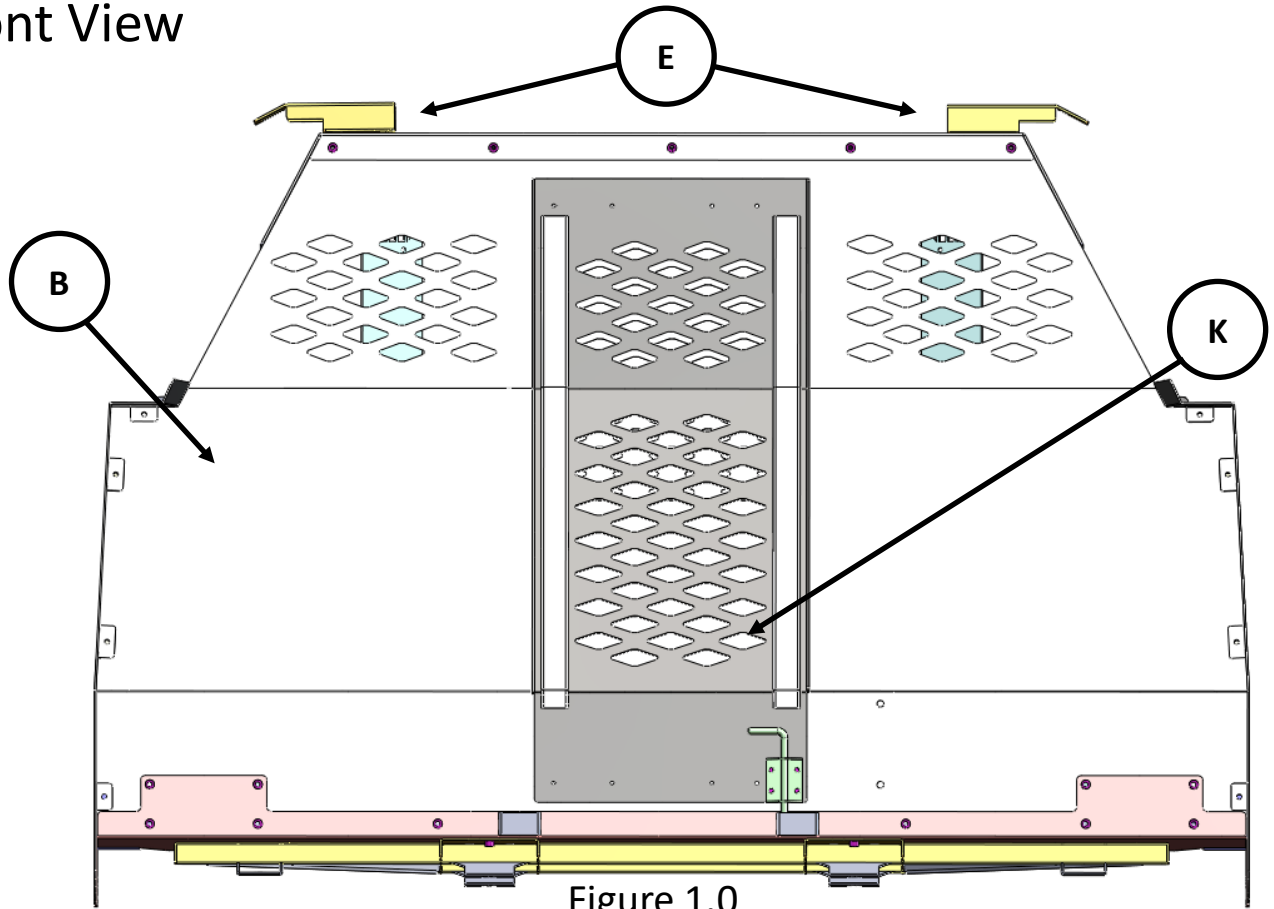


Figure 1.0

Side View

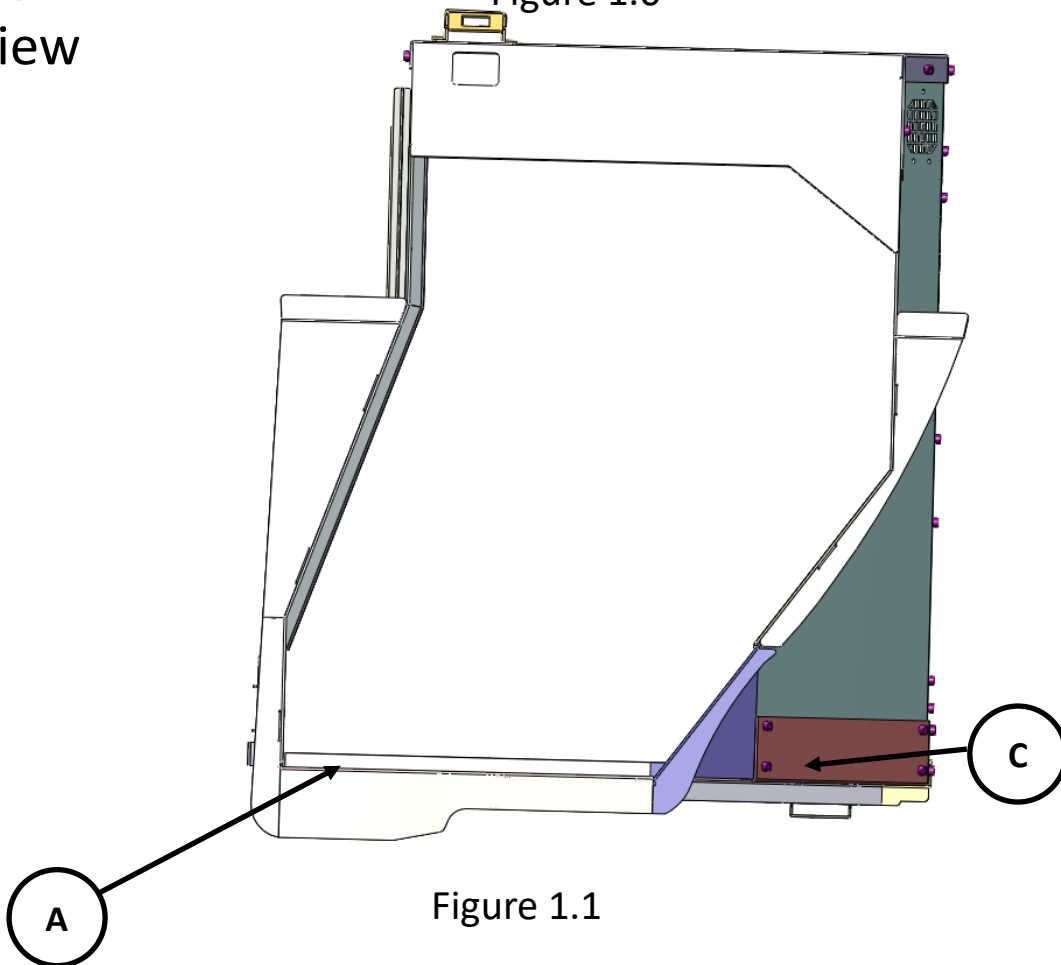


Figure 1.1

Top View

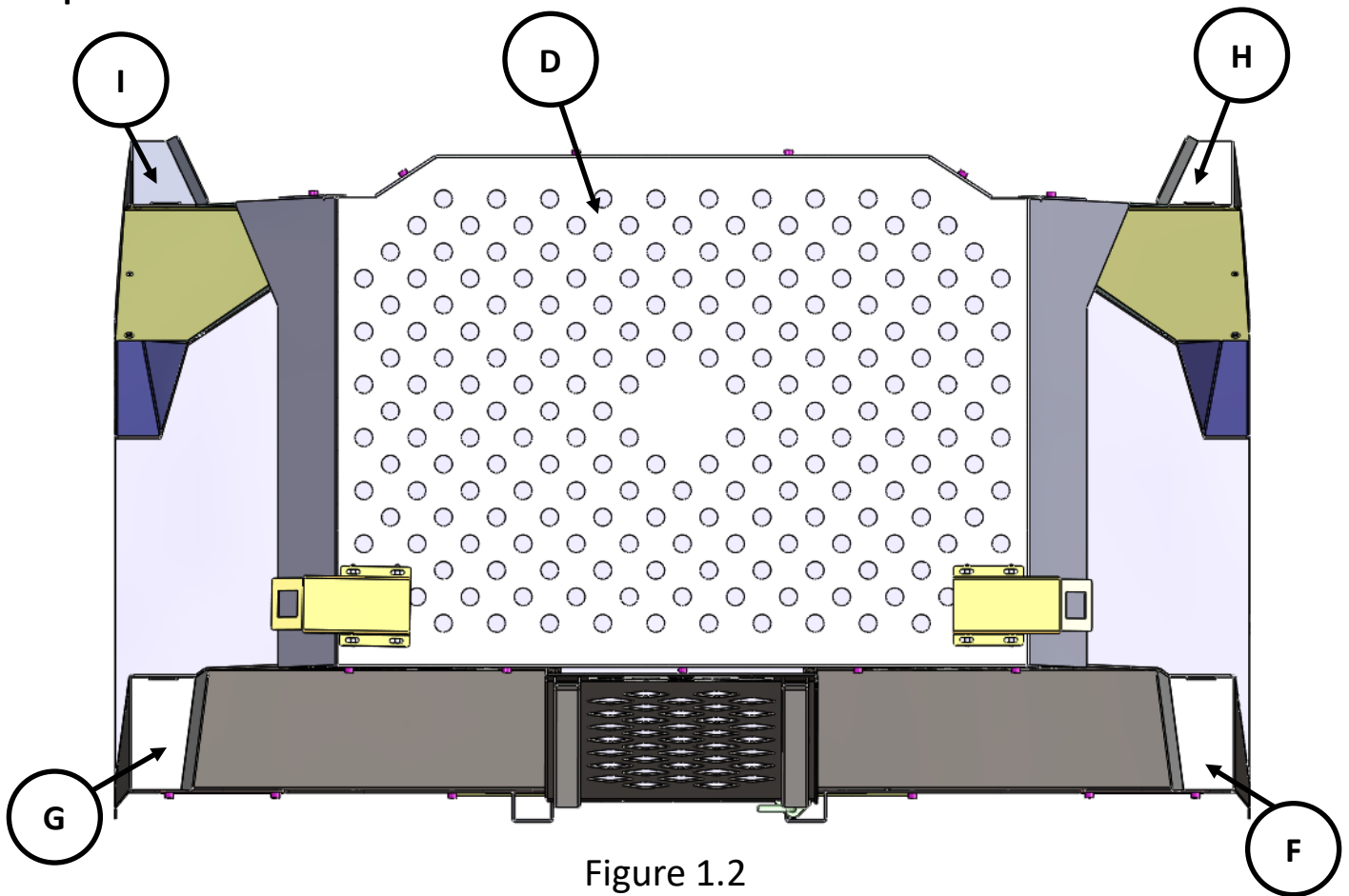


Figure 1.2

Bottom View

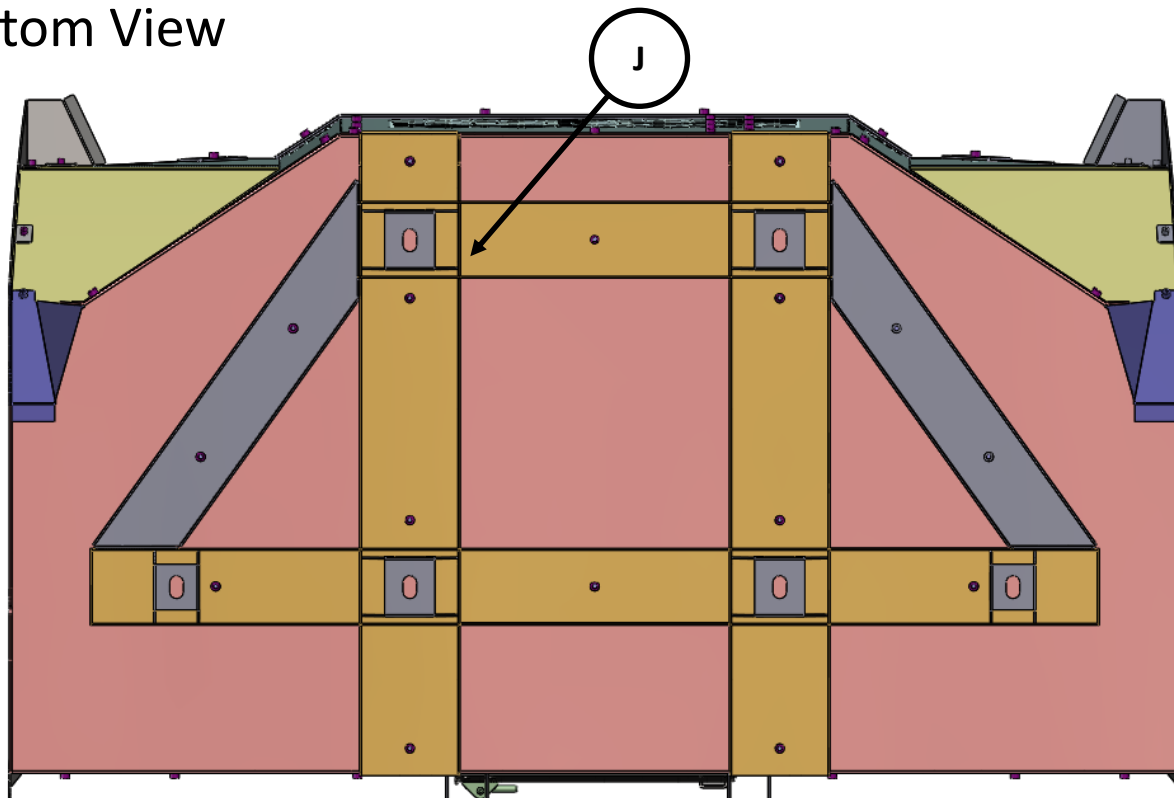


Figure 1.3

# Driver's Side Door Skin

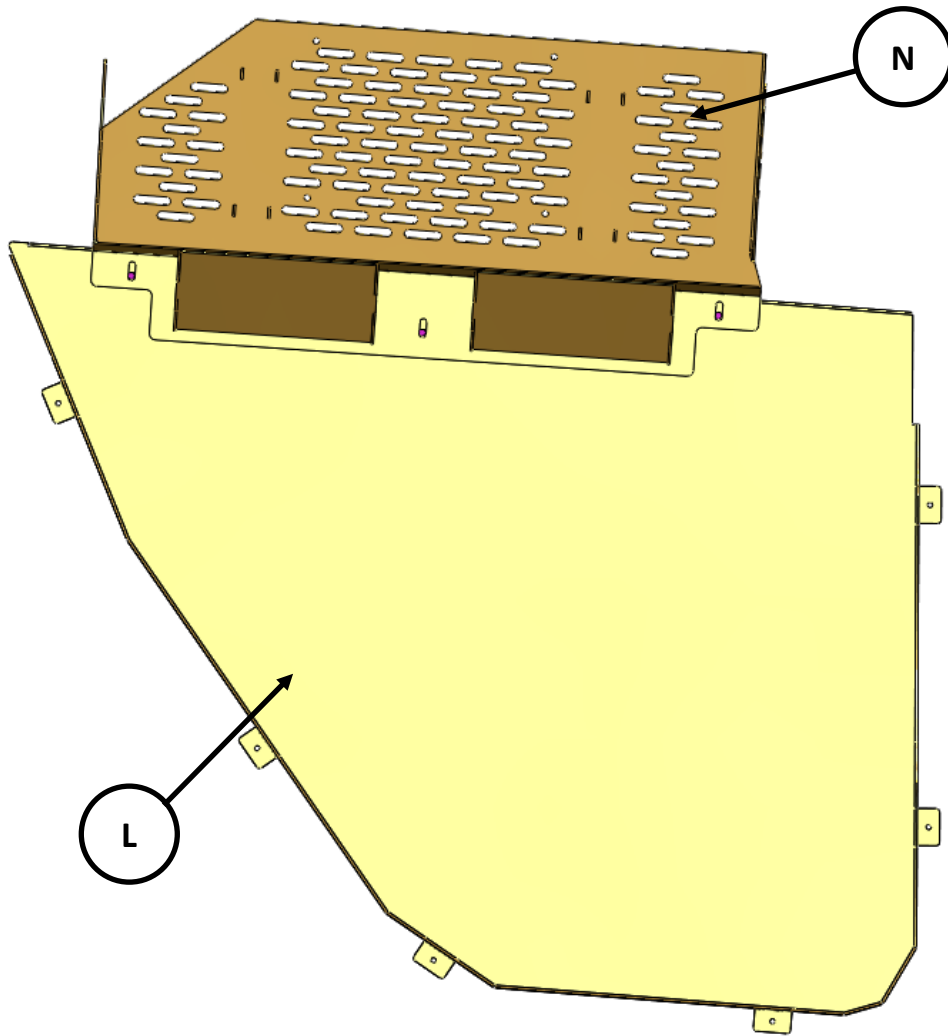


Figure 2.0

Note: Passenger Door Skin is mirrored to the driver's side.

## UNPACKING

Before beginning any installation, unpack the equipment received. After unpacking, examine **ALL** components received for any damage that may have occurred while in transit. If any damage has occurred, file a claim **IMMEDIATELY** with the courier stating the extent of damage. Check **ALL** envelopes, packing slips, shipping labels and tags before removing or destroying them.

To ensure your satisfaction, open all cartons and report any shortage **within 48 hours of receipt.**

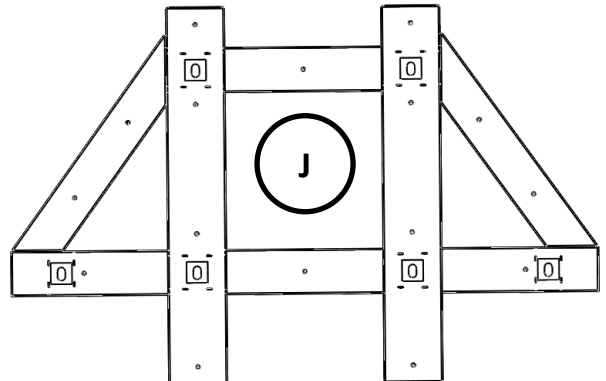
## VEHICLE PREPARATION

Remove the 2 rear seats and set aside. The removed bolts will be used to fasten the sub-frame. Remove factory rear door panels and set aside.

## INSTALLATION OF K9 KENNEL

### Step 1

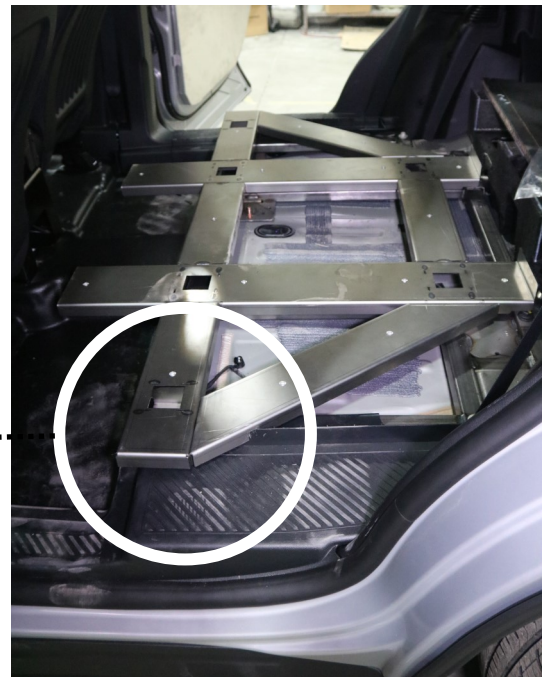
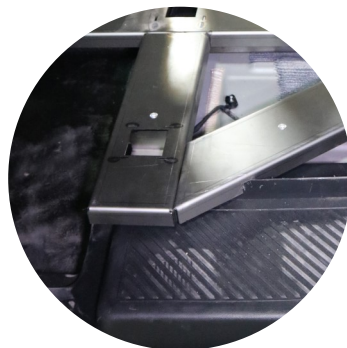
Cut off the factory plastic trim along the sides of the door frame as shown using an X-acto blade.



### Step 2

#### Sub-frame into Vehicle

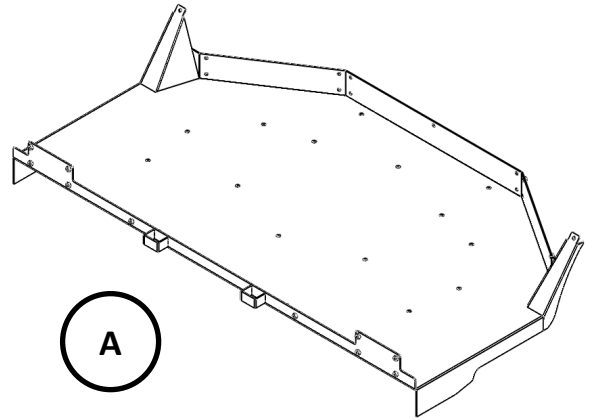
Place sub-frame over the seat mount holes. Some cutting of the factory plastic trim will be required to set the sub-frame into position. **Do not** secure down until step 3.



### Step 3

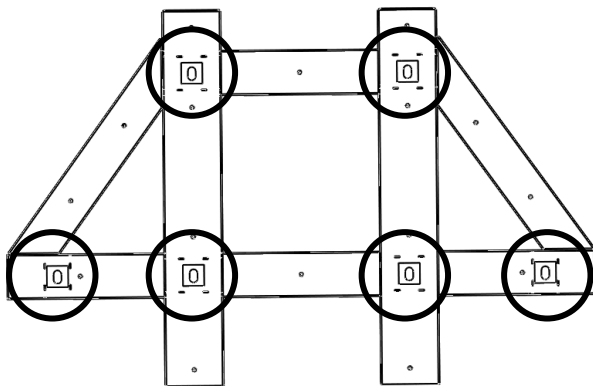
#### Base Panel to Sub-frame

Place base panel on sub-frame and align the side contour of the base with the contour of the vehicle. Ensure the mounting points between the base and the sub-frame are aligned. Once satisfied with placement **carefully** remove the base.



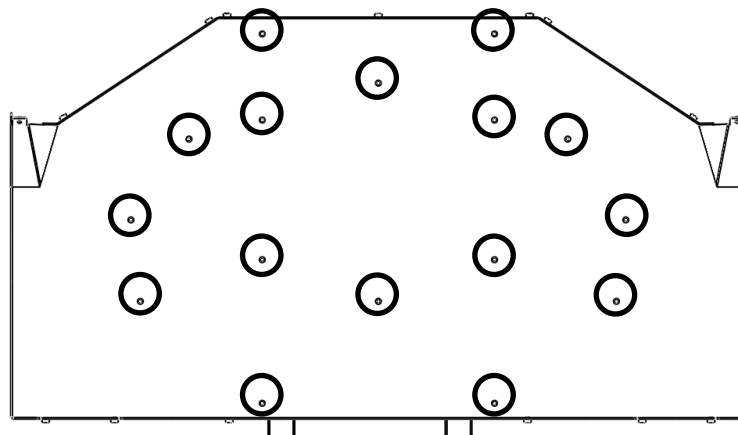
### Step 4

Secure the sub-frame using the 6 factory seat bolts.



### Step 5

Place the base panel on to the sub-frame and secure using 1/4-20 Countersink 3/4" Screws (x16).

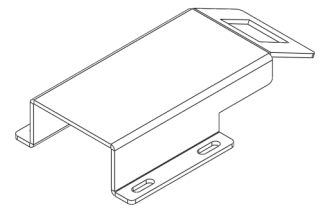


Top View

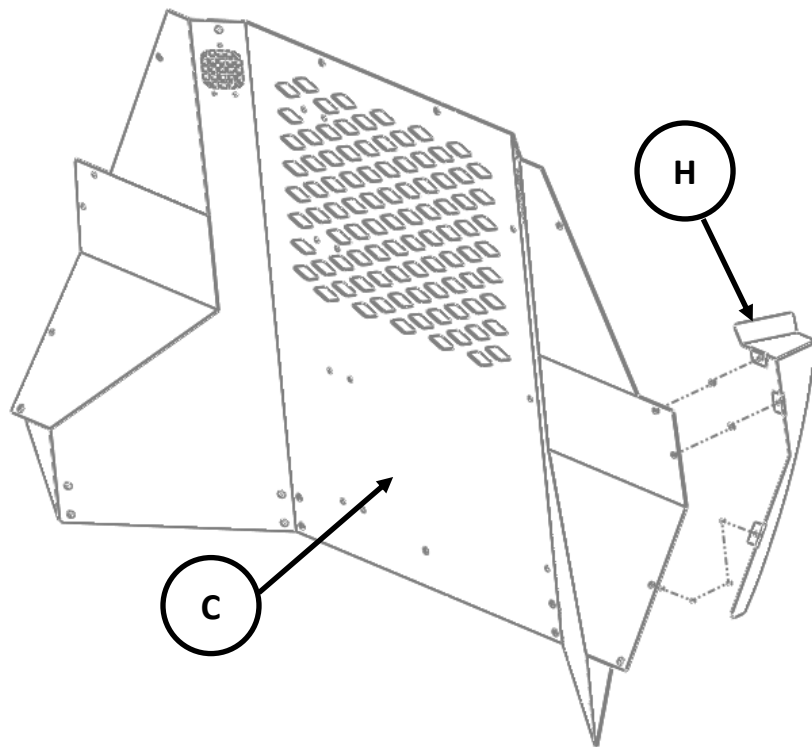
## Step 6

### Roof Mounting Brackets to Roof Coat Hooks

Remove the 2 factory rear roof coat hooks. Hold up the roof mounting bracket and secure by reinstalling the factory roof coat hooks, as shown below.



**(E)** X 2



## Step 6

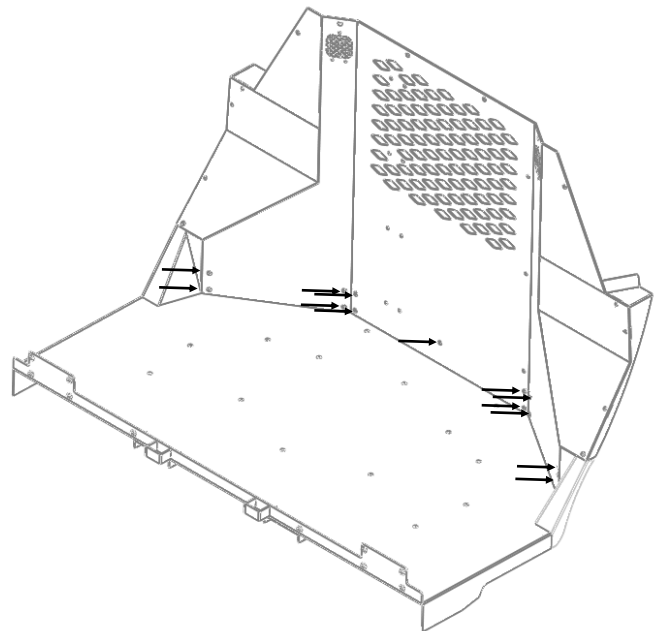
### Rear Filler Panels to Rear Wall

Before installing the Rear Wall into vehicle attach the Rear Filler panels to the rear panel using 10-32 Countersink 5/8" Screws (x6). Repeat for opposite side.

## Step 7

### Rear Panel to Base Panel

**Carefully** place Rear Wall on Base Panel and secure using 1/4-20 Countersink 3/4" Screws (x15).

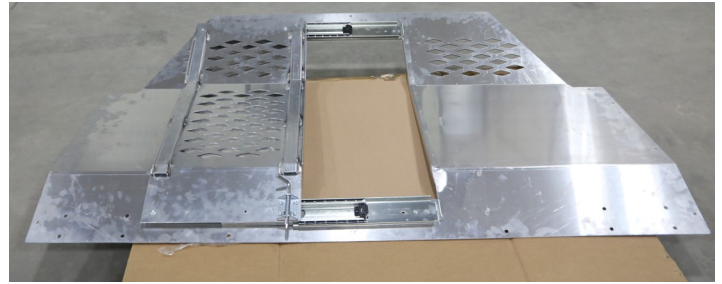




## Step 8

### Front Wall to Base Panel

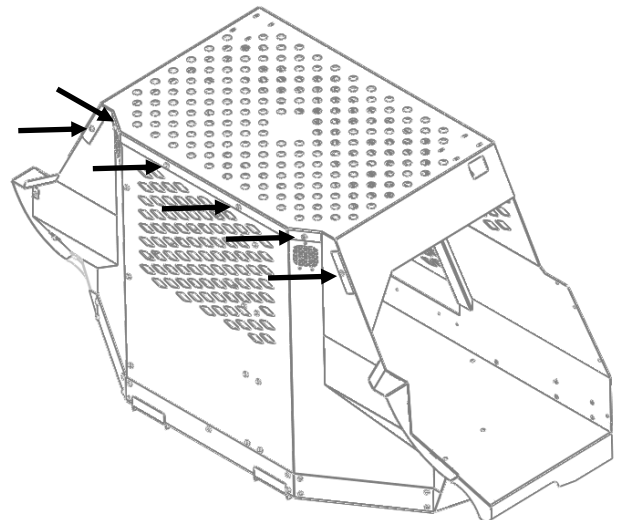
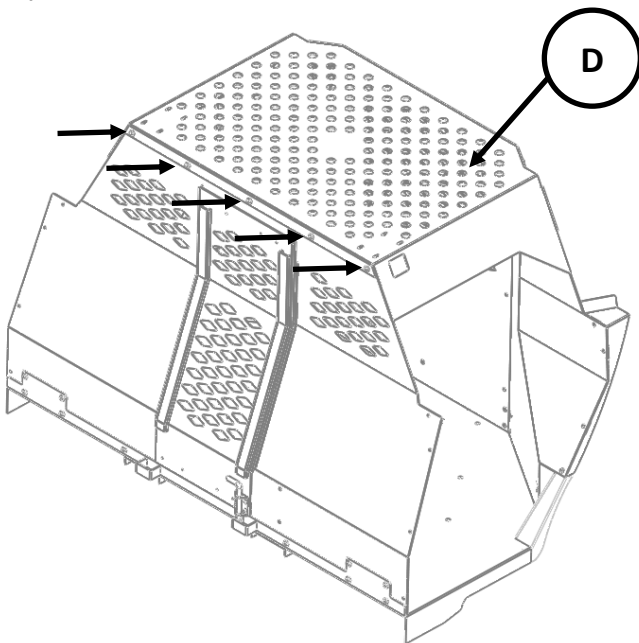
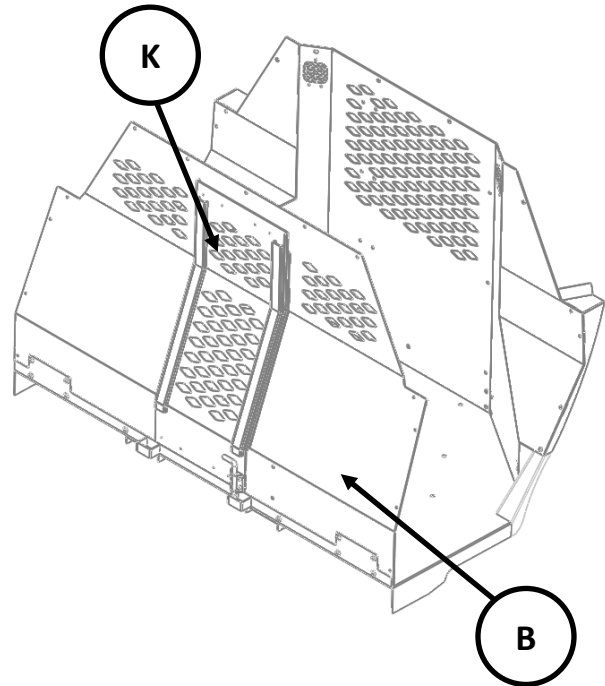
Place the Front Wall on the Base Panel and secure with 1/4-20 Countersink 3/4" Screws (x10). The sliding door is pre-installed on the front panel.



## Step 9 (Requires 2 people)

### Top Panel to Front and Rear Wall

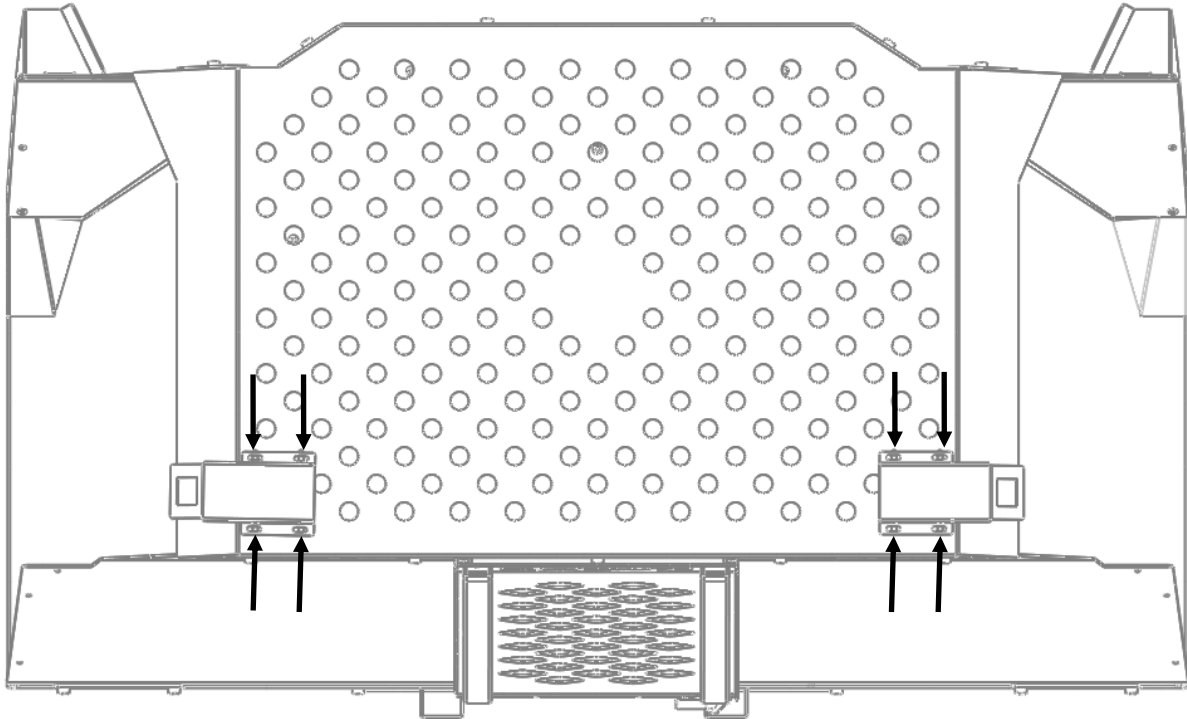
Carefully place Top Panel on to the Front and Rear Walls. To do so pull Rear Wall towards the front of the vehicle and place top over the rear wall. Slightly pull the Front Wall towards the rear of the vehicle. Lift the top panel towards the top of the vehicle and place Top Panel on top of the Front Wall. Secure using 1/4-20 Countersink 3/4" Screws (x11).



## Step 10

### Roof Mounting Brackets to Top Panel

Secure the Roof Mounting Brackets to the Top Panel using 1/4-20 Carriage Bolts (x8), 1/4-20 Acorn nuts (x8), 1/4" Flat Washers(x8) and 1/4" Lock Washers(x8).

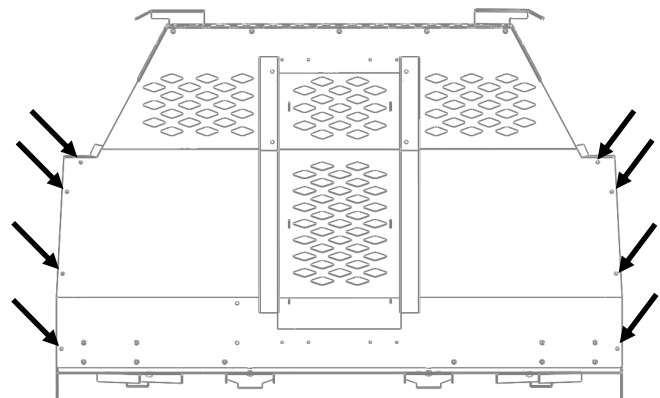
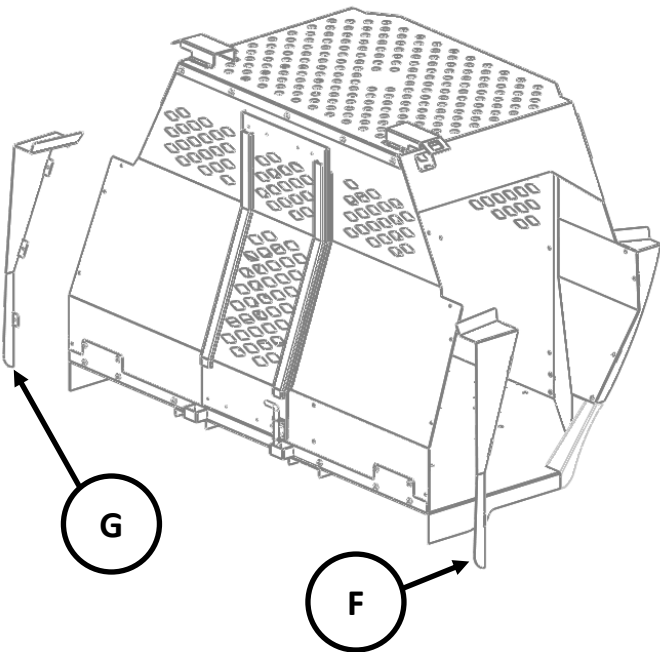


Top View

## Step 11

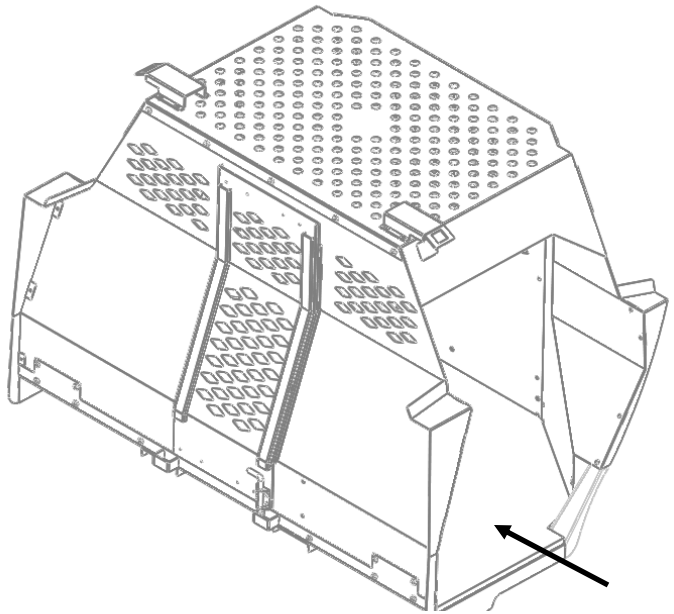
### Front Filler Panels to Front Wall

Install Front Filler Panels to the Front Wall using 10-32 Countersink 5/8" Screws (x8).



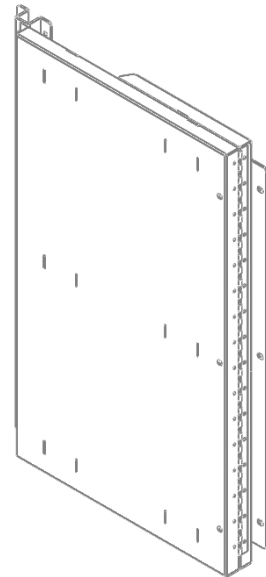
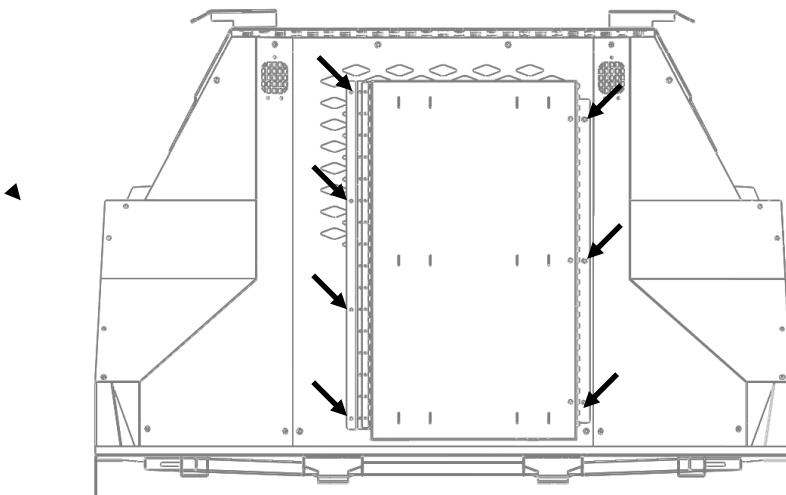
## Step 12 Rubber Mat

Place Rubber Mat into the Kennel



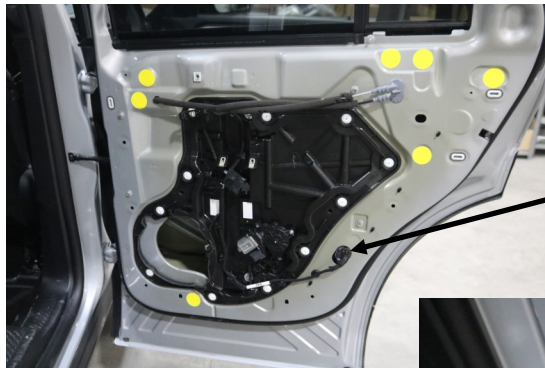
## Step 13 (Optional Door Divider)

Secure the Door Divider to the Rear Wall using the provided hardware (x7).



## Step 14 Door Skin

Remove the factory speakers and carefully cut away the speaker housing until it looks as shown. Pop in the weather seal on the lower portion to keep it from interfering. **Repeat for opposite side.**



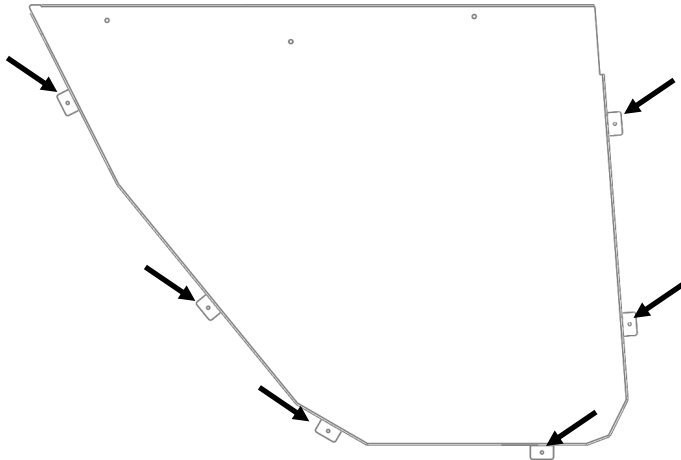
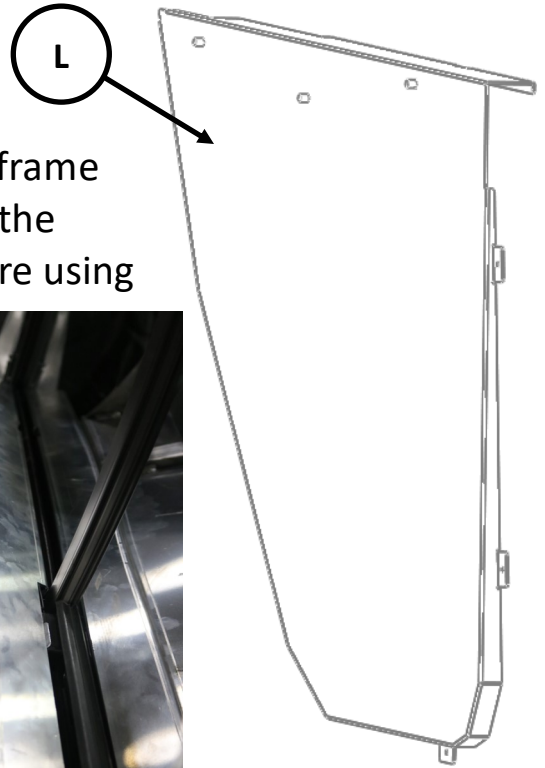
Weather Seal



## Step 15

### Door Skin to Door Frame

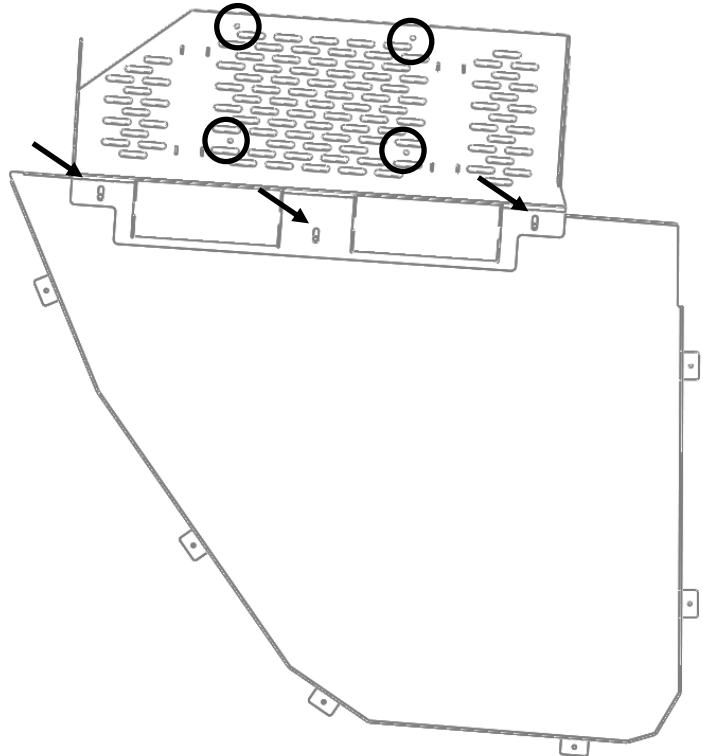
Carefully lift the Door skin on to the factory door frame placing the edge into the window channel. Ensure the door skin is properly placed before letting go. Secure using #10 Self Tapping Screws (x6). **Repeat for opposite side.**



## Step 16

### Door Skin Guard to Door Skin

Place the Door Skin Guard on the Door Skin and secure using 1/4-20 Nyloc Nuts (x3) and 1/4-20 Flat Washers (x3). Use slots to adjust alignment of window guard with K9 door opening. Tighten when satisfied with fit. **Repeat for opposite side.**



## Step 17 (Optional)

### K9 Cooling Fan

Install K9 cooling fan on the window guard using the four mounting points as shown.

## WARRANTY

D & R Electronics warrants its new products to be free from defects in material and workmanship, under normal use and service, for a period of one year on parts replacement, and one year on labor.

This warranty applies only to original purchasers acquiring the product directly from D&R Electronics, or its authorized dealers. Warranty will not be recognized without proof of purchase or bill of sale. This warranty is not transferable.

The warranty begins on the date of delivery to the first user/purchaser. This warranty shall not apply to products which must be repaired due to normal wear and tear, negligence, improper installation, abuse, misuse, or which have been

altered or modified at a facility other than D & R Electronics, or its authorized depot center. Units proved to be defective within the warranty period, based on an examination by D&R Electronics, will be replaced or repaired at D & R Electronics' option. This warranty does not cover travel expenses or labor charges for removal or installation. Lamps, flash tubes, batteries or other items considered consumables are not covered under warranty.

This warranty is in lieu of all other express warranties. D&R Electronics makes no other warranties, expressed or implied, than the express warranties contained herein.

## PRODUCT RETURN POLICY

In order to provide you with faster service, product returns for repair or replacement, must have a **Return Goods Authorization Number (RGA number)**. Please contact our company to obtain a RGA number before you return the product to D & R ELECTRONICS. Write the RGA number clearly on the package. Be sure you use sufficient packing materials to avoid damage to the product being returned while in transit.

D & R ELECTRONICS assumes no responsibility or liability for expenses incurred for the removal and/or the installation of products requiring service and/or repair. Repairing or replacing product is at the discretion of D & R ELECTRONICS.

### D&R ELECTRONICS Co. LTD.

#### CANADA

8820 George Bolton Pkwy.  
Bolton, Ontario L7E 2Y4

Tel.: (905)951-9997  
Fax: (905)951-0019

#### USA

2299 Kenmore Ave  
Building #3, Doors 11-1  
Buffalo, NY, 14207

Toll Free 1-800-538-7338

[www.dandrelectronics.com](http://www.dandrelectronics.com)