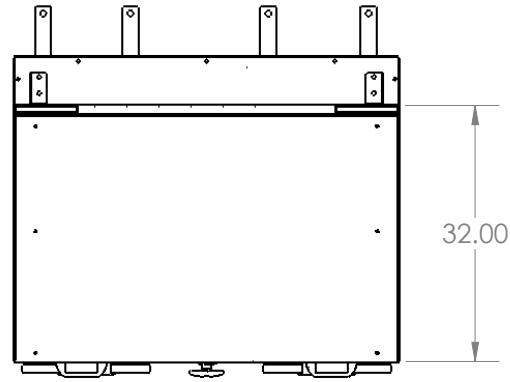


REV.	DESCRIPTION	BY	DATE	APPROVED



834-4155A Partition

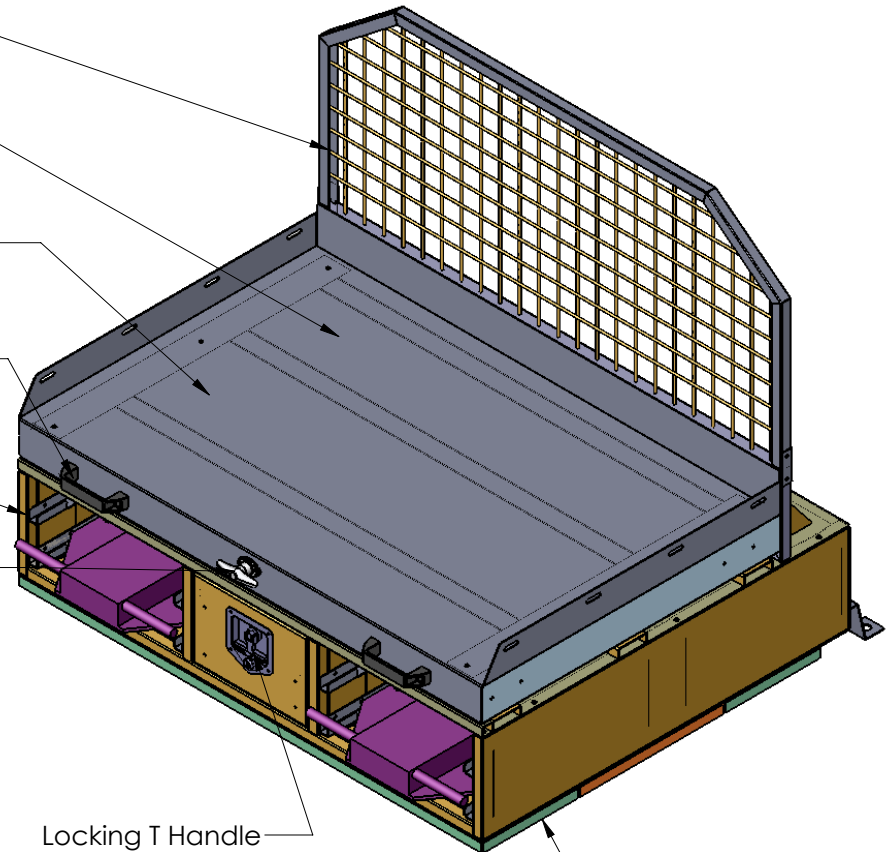
Rubber Lined Top

834-4150A Slide Tray

400-0086A Grabe Handle (2X)

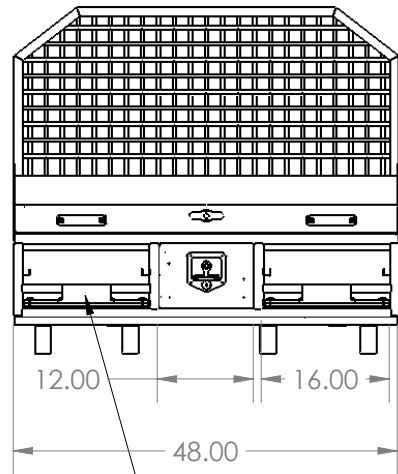
934-0693B Included

400-0083-48 T-Handle Locking Keyed

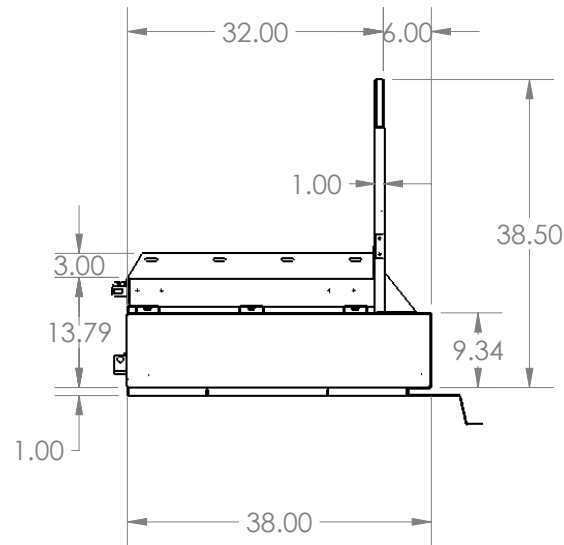


Locking T Handle

Tahoe Subframe  
933-0111A



Lower Cabinet with Scale Rack  
to fit 2 Scales pre side.



Slides:

1 pair 430-0008 Heavy Duty 28" for Top Tray

1 pair 430-0005 Heavy Duty 36" for Bottom Center Drawer

DRAWN	NAME WEI	DATE 9NOV,17	DandR ELECTRONICS CO., LTD.		DANDR-ANSI-A REV2 APRIL 1,2009	SIZE <b>A</b>
CHECKED	AD	9NOV,17	Path: Y:\M\MECH_DATA\934-Files\934-0825A Tahoe Storage W Slide Tray\ File: 934-0825A Date: Monday, December 18, 2017 11:48:40 AM			
THE INFORMATION CONTAINED WITHIN THIS DRAWING IS PROPRIETARY AND CONFIDENTIAL. AND IS THE SOLE PROPERTY OF DandR ELECTRONICS CO. LTD. IT MAY NOT BE REPRODUCED AT WHOLE OR IN PART WITHOUT THE WRITTEN PERMISSION OF DandR ELECTRONICS CO. LTD.			DESCRIPTION: <b>TAHOE STORAGE W SLIDE TRAY</b>			
MFG. NO. <b>934-0825A</b>		CATALOG. NO. <b>XXX</b>				
USED ON:		SHEET 1 OF 1				
FINISH Midnight black Wrinkle	MATERIAL		REV.		<b>0</b>	