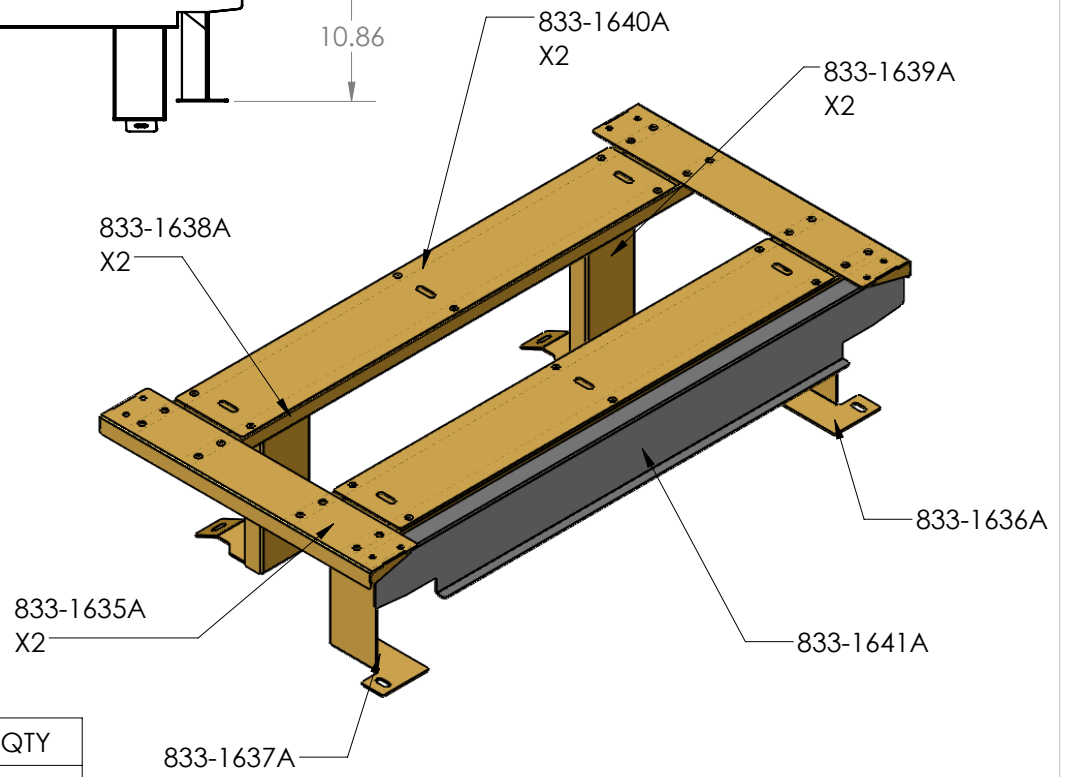
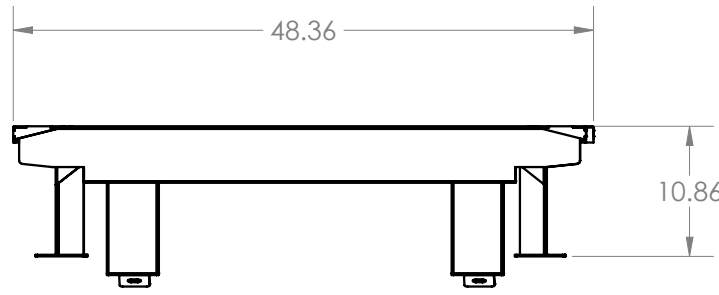
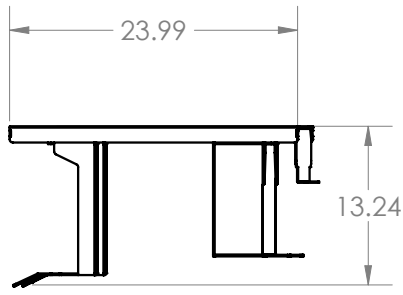


REV.	DESCRIPTION	DCR	BY	DATE	APPROVED



**SHIPPING HARDWARE**

PART NUMBER	DESCRIPTION	QTY
403-0005A	1/4" FLAT WASHER ZINC	10
422-0009	1/4" NYLOCK NUT ZINC	8
401-0222	1/4" FLATHEAD SCREW (3/4") ZINC	28
4001-0074	1/4-20 HEX HEAD (1/2") ZINC	2
403-0004	1/4" LOCK WASHER ZINC	2
407-0015A	3/8" CAGE NUTS	6
401-0042	3/8-16 X 1"	6
403-0008	3/8" FLAT WASHER	6
403-0012	3/8" LOCK WASHER	6
401-0064	10-32 x 5/8 Flathead Screw	4

DRAWN	NAME	DATE	DCR	DESCRIPTION	DANDR-ANSI-A	REV2	APRIL 1, 2009	SIZE
	IM	15JUNE20						<b>A</b>
CHECKED	AD	15JUNE20						
			Path: M:\MECH_DESIGN\IM Design\933-0137A - 2020 Civilian Explorer Subframe\           File: 933-0137A           Date: June 25, 2020 8:59:27 AM           DESCRIPTION: <b>2020 Explorer Civilian Trunk Raised Frame Shelf</b>					
THE INFORMATION CONTAINED WITHIN THIS DRAWING IS PROPRIETARY AND CONFIDENTIAL. AND IS THE SOLE PROPERTY OF DandR ELECTRONICS CO. LTD. IT MAY NOT BE REPRODUCED AT WHOLE OR IN PART WITHOUT THE WRITTEN PERMISSION OF DandR ELECTRONICS CO. LTD.			MFG. NO.		CATALOG. NO.			
			<b>933-0137A</b>		<b>XXX</b>			
			USED ON:					SHEET 1 OF 1
			9XX-XXXX					
FINISH			MATERIAL		REV.			
BLACK MIDNIGHT WRINKLE			XXga CRS					<b>0</b>