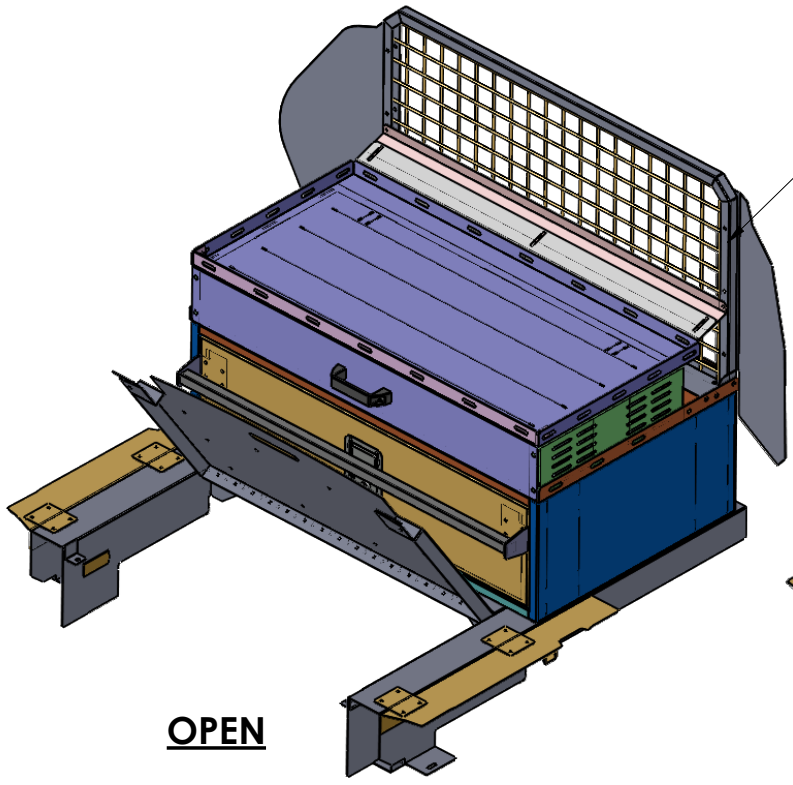
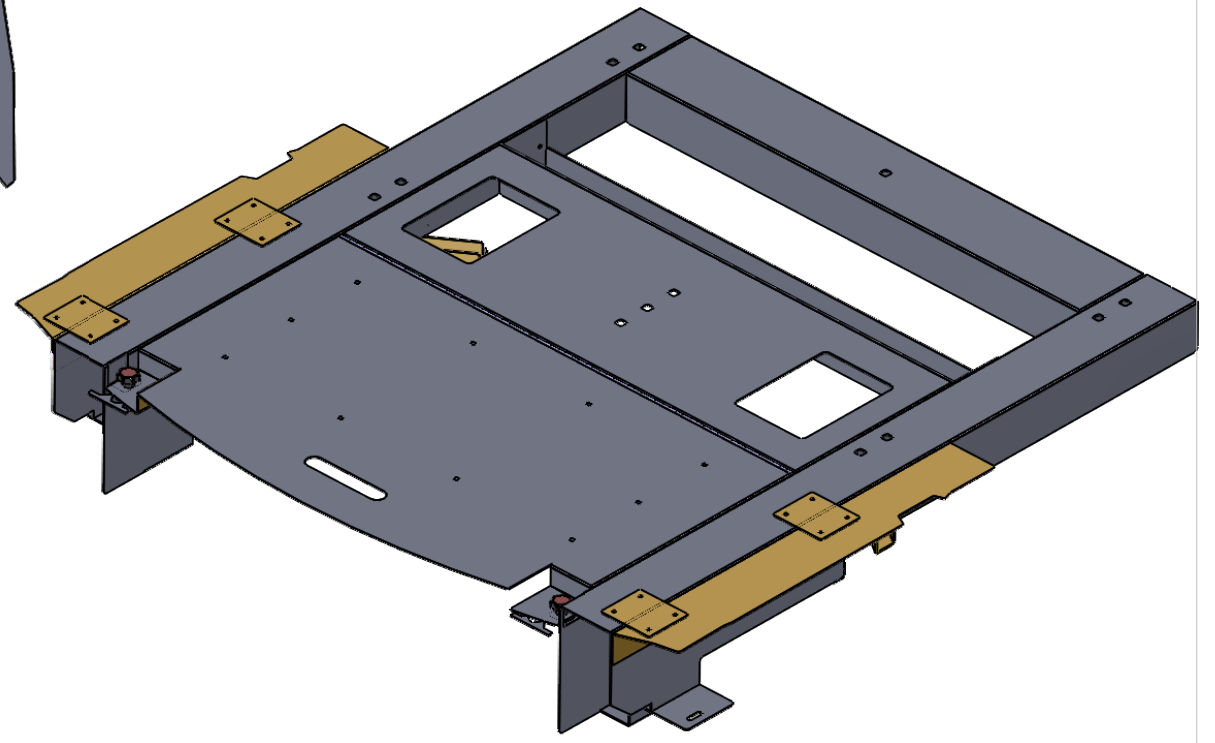


REV.	DESCRIPTION	DCR	BY	DATE	APPROVED

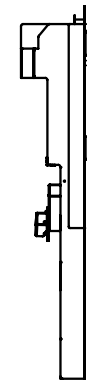
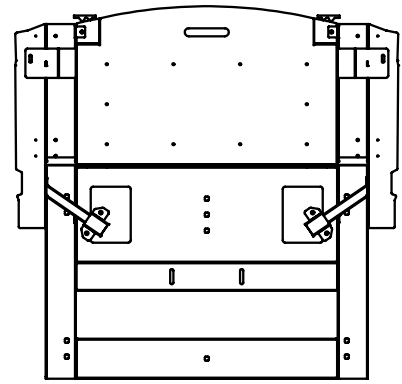
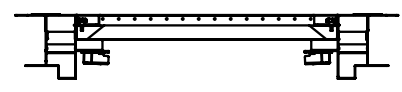


OPTIONAL SETUP FOR VISUALIZATION

OPEN



CLOSED



DRAWN	NAME IM	DATE 29OCT19	ELECTRONICS CO., LTD.	DANDR-ANSI-A REV2 APRIL 1, 2009	SIZE A
CHECKED	AD	29OCT19	Path: M:\MECH_DESIGN\IM Design\933-0135A - 2020 Ford Explorer Subframe\ File: 933-0135A Date: November-01-19 1:44:06 PM		
<p>THE INFORMATION CONTAINED WITHIN THIS DRAWING IS PROPRIETARY AND CONFIDENTIAL. AND IS THE SOLE PROPERTY OF DANDR ELECTRONICS CO. LTD. IT MAY NOT BE REPRODUCED AT WHOLE OR IN PART WITHOUT THE WRITTEN PERMISSION OF DANDR ELECTRONICS CO. LTD.</p>			<p>DESCRIPTION: 2020 Ford Utility Subframe (No Tire Access)</p>		
FINISH XX			MFG. NO. 933-0135A	CATALOG. NO. XXX	SHEET 1 OF 1
MATERIAL XXga CRS			USED ON: 9XX-XXXX	REV. 0	