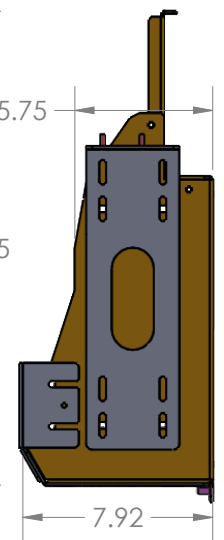
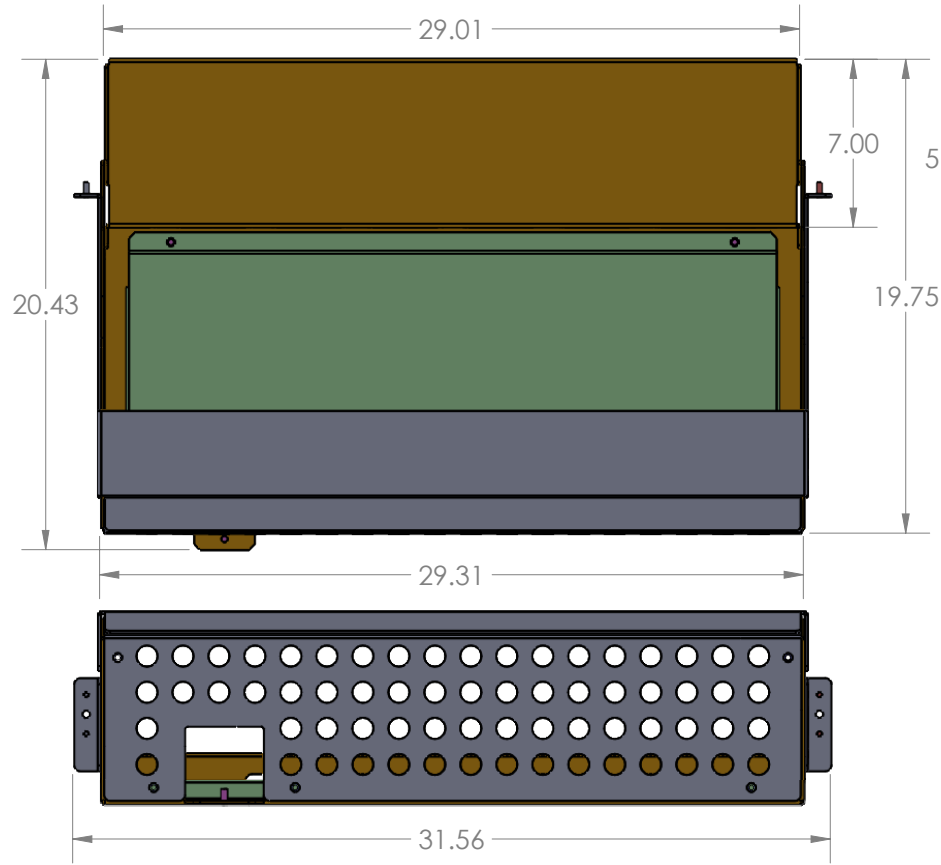


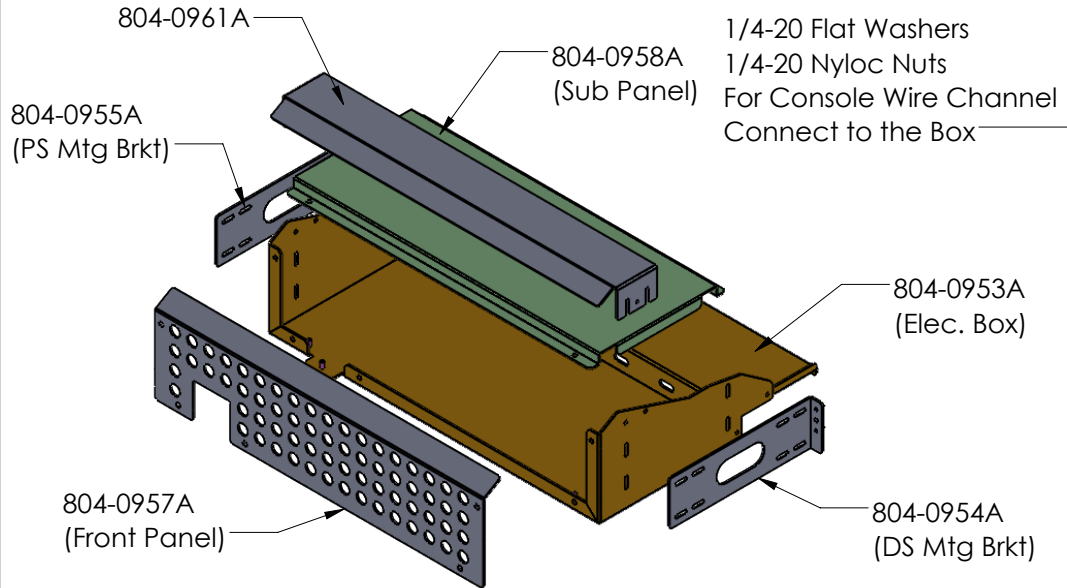
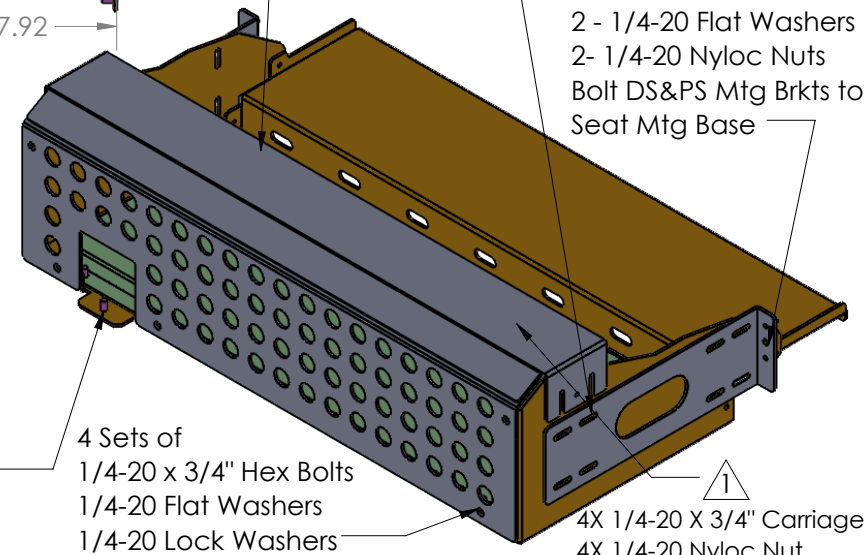
REV.	DESCRIPTION	NCR	DCR	BY	DATE	APPROVED
1	Added Part (804-0961A): Top Cover to fill Gap when installed on Short cab F-150 (added hardware indicated under $\Delta$ )		M1027	NT	23SEP12019	AD



4 - 1/4-20 Flat Washers  
 4 - 1/4-20 Nyloc Nuts  
 Bolt Sub Panel to the Box

8 - 1/4-20 x 3/4" Hex Bolts  
 16 - 1/4-20 Flat Washers  
 8 - 1/4-20 Nyloc Nuts  
 Bolt DS&PS Mtg Brkts to the Box

2 - 1/4-20 x 3/4" Hex Bolts  
 2 - 1/4-20 Flat Washers  
 2 - 1/4-20 Nyloc Nuts  
 Bolt DS&PS Mtg Brkts to Seat Mtg Base



4 Sets of  
 1/4-20 x 3/4" Hex Bolts  
 1/4-20 Flat Washers  
 1/4-20 Lock Washers

4X 1/4-20 X 3/4" Carriage Bolts  
 4X 1/4-20 Nyloc Nut

NAME	DATE	DandR ELECTRONICS CO., LTD.		DANDR-ANSI-A	SIZE
DRAWN	MQ	17JAN19		REV2	A
CHECKED	AD	17JAN19		APRIL 1, 2009	
Path: \\server-fs.dandreelectronics.com\Mechanical\MECH_DATA\904 Console Accessories File: 904-0179A Date: Tuesday, September 01, 2020 10:33:37 AM DESCRIPTION: <b>2019 Ford F-150 Under Rear Seat Electrical Box Solution</b>					
MFG. NO.		904-0179A		CATALOG. NO.	
USED ON:		904-0179A		SHEET 1 OF 1	
FINISH		Black Midnight Wrinkle		MATERIAL	
		ALUM / CRS		REV.	
				1	

THE INFORMATION CONTAINED  
 WITHIN THIS DRAWING IS  
 PROPRIETARY AND CONFIDENTIAL  
 AND IS THE SOLE  
 PROPERTY OF DandR  
 ELECTRONICS CO. LTD. IT MAY  
 NOT BE REPRODUCED AT WHOLE  
 OR IN PART WITHOUT THE  
 WRITTEN PERMISSION OF DandR  
 ELECTRONICS CO. LTD.