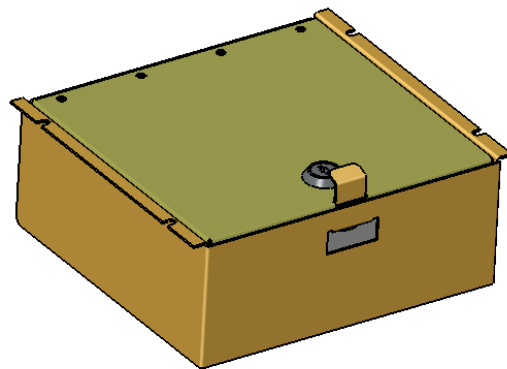
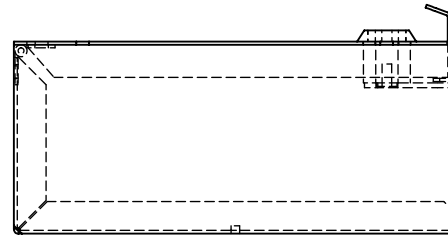
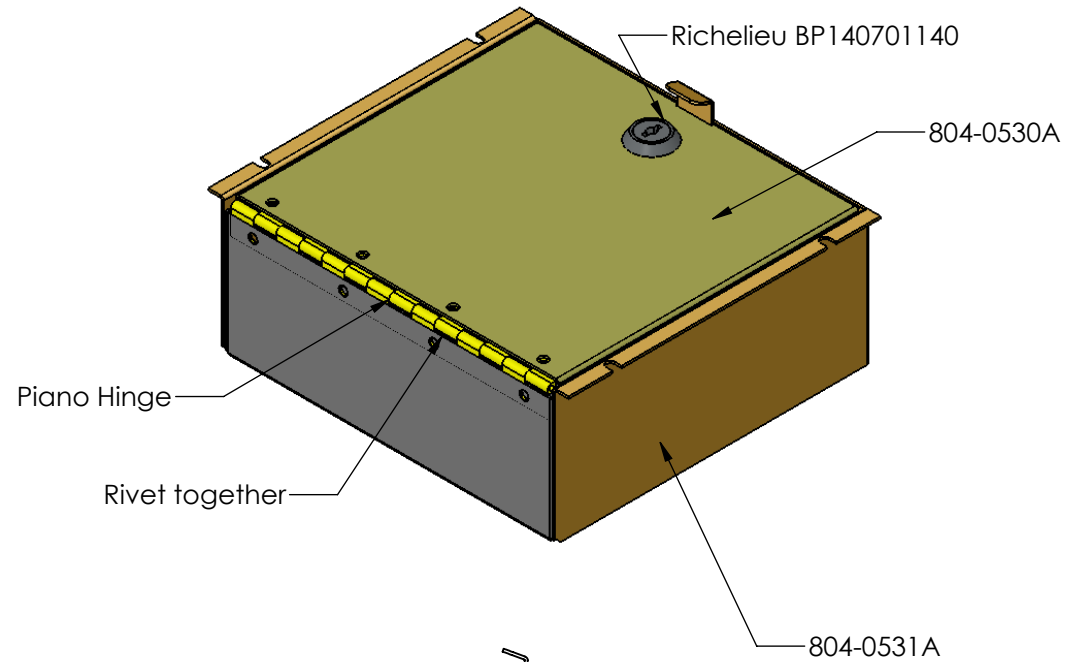
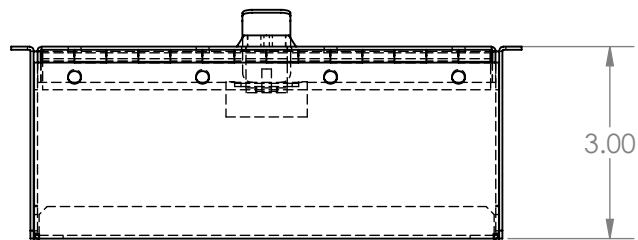
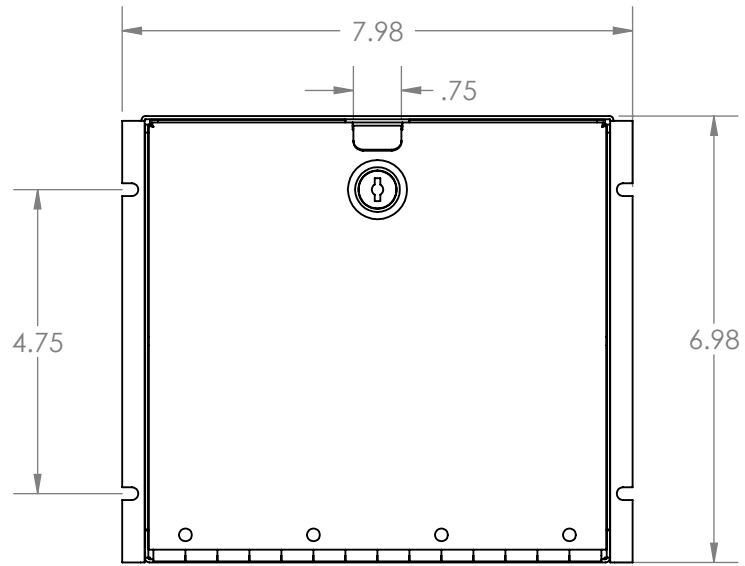


REV.	DESCRIPTION	DATE	APPROVED



DIMENSIONS ARE IN INCHES TOLERANCES: FRACTIONAL $\pm 1/32$ ANGULAR: $\pm 10^\circ$ TWO PLACE DECIMAL $\pm .010$ THREE PLACE DECIMAL $\pm .005$	NAME	DATE		
	DRAWN	MQ		19 JUL 14
	CHECKED	AD		19 JUL 14
	ENG APPR.			
	MFG APPR.			
MATERIAL	Q.A.		Ticket Book Holder (7.0"Lx8.0"Wx3.0"D)	
FINISH	COMMENTS:			
Midnight Black Wrinkle				
			Path: Y:\MECH ENG\MECH_DESIGN\904-0153A Ticket Book Holder 7L8W3D\ File: 904-0153A Date: Thursday, July 24, 2014 3:11:11 PM SIZE DWG. NO. 904-0153A REV. 0	
			USED ON: SHEET 1 OF 1	