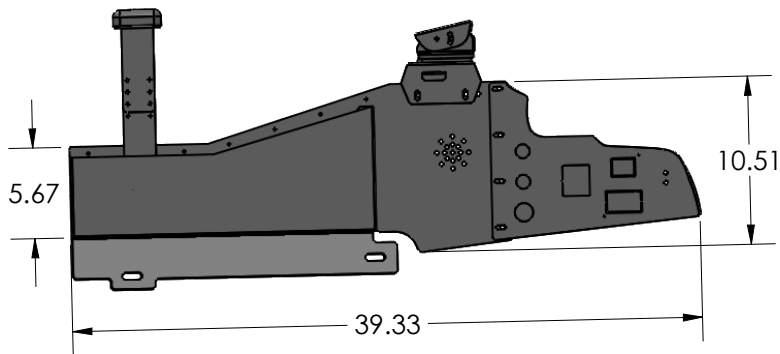
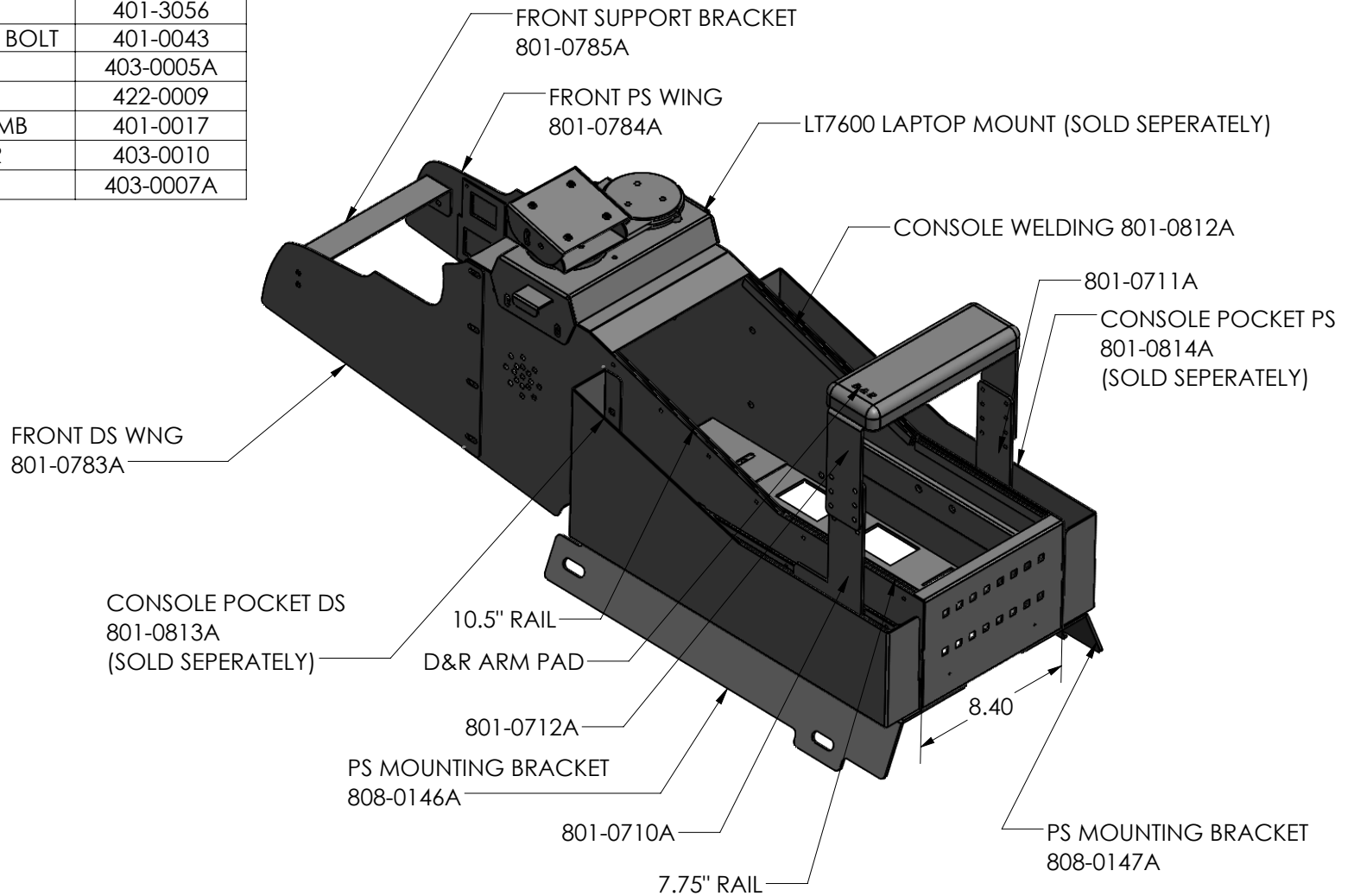


Hardware List		
QTY	DESCRIPTION	PART NUMBER
4	M12 -1.75 X 20MM	401-3056
4	1/4-20 X 3/4" CARRIAGE BOLT	401-0043
4	1/4 FLAT WASHER	403-0005A
4	1/4-20 NYLOC NUT	422-0009
12	#10-32 X 3/8" RD COMB	401-0017
12	#10 LOCK WASHER	403-0010
12	#10 FLAT WASHER	403-0007A

REV.	DESCRIPTION	DCR	BY	DATE	APPROVED



NAME	DATE	DESCRIPTION	SIZE
DRAWN EB	18JAN23	D&R ELECTRONICS CO., LTD. DANDR-ANSI-A REV2 APRIL 1, 2009	A
CHECKED AD	18JAN23	Path: M:\MECH_DESIGN\Emma Design\tahoe with sliding armrest\ File: 901-0183A Date: January 18, 2023 3:16:01 PM	
THE INFORMATION CONTAINED WITHIN THIS DRAWING IS PROPRIETARY AND CONFIDENTIAL. AND IS THE SOLE PROPERTY OF DandR ELECTRONICS CO. LTD. IT MAY NOT BE REPRODUCED AT WHOLE OR IN PART WITHOUT THE WRITTEN PERMISSION OF DandR ELECTRONICS CO. LTD.		DESCRIPTION: <b>2021 GEN 1 CHEVY TAHOE CONSOLE WITH SLIDING ARMREST</b>	
MFG. NO. <b>901-0183A</b>		CATALOG. NO. <b>XXX</b>	
FINISH <b>BLACK MIDNIGHT WRINKLE</b>		MATERIAL	SHEET 1 OF 1
		REV. <b>0</b>	