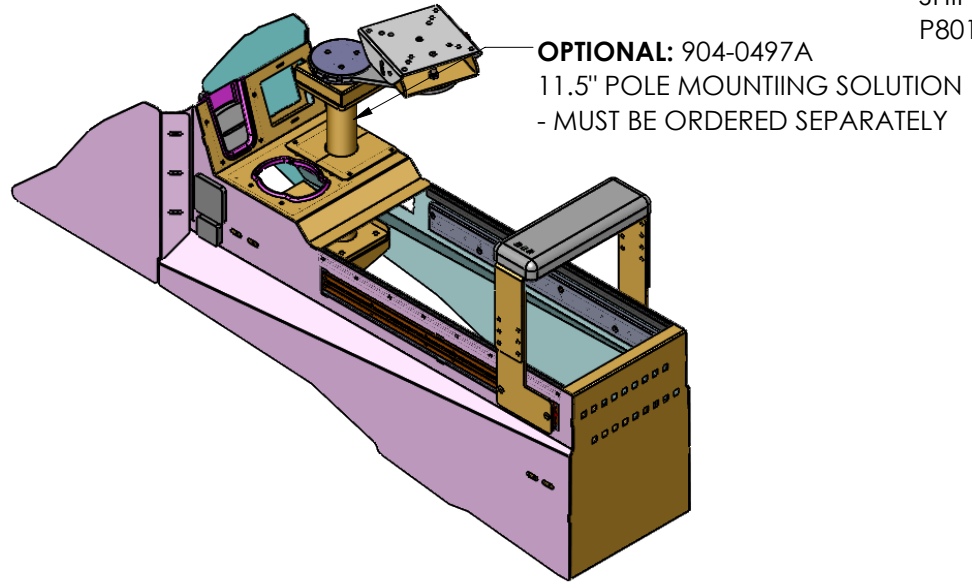
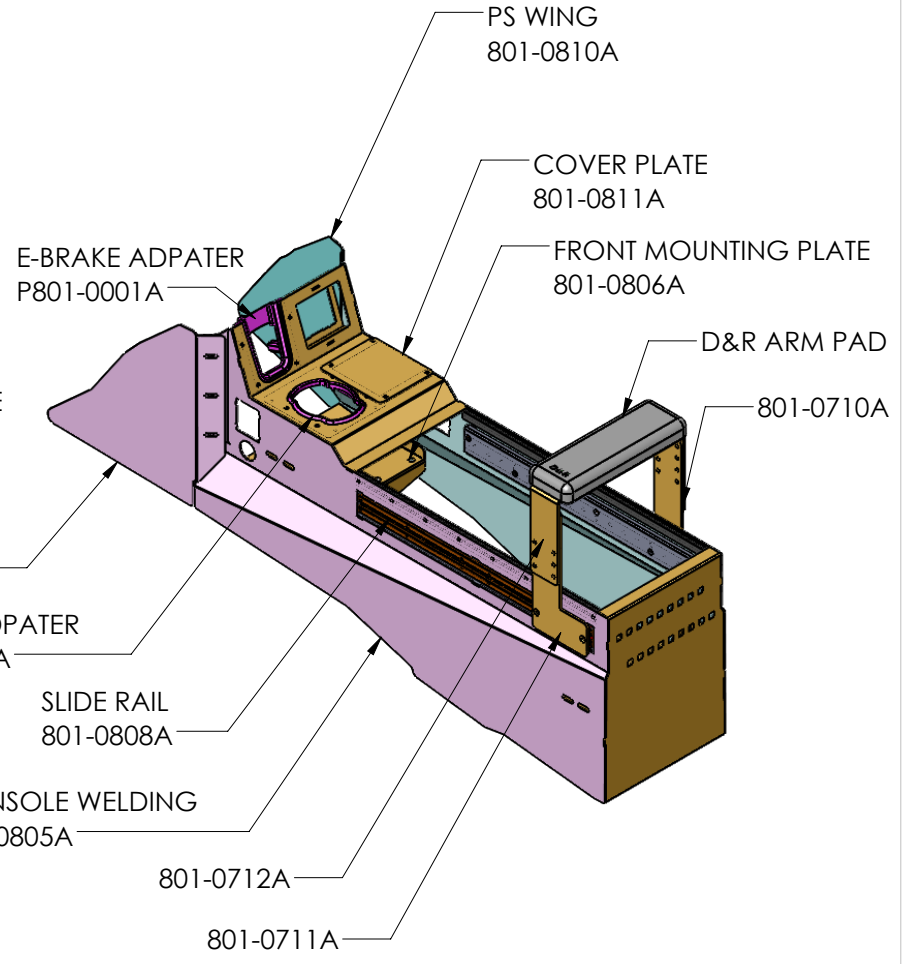
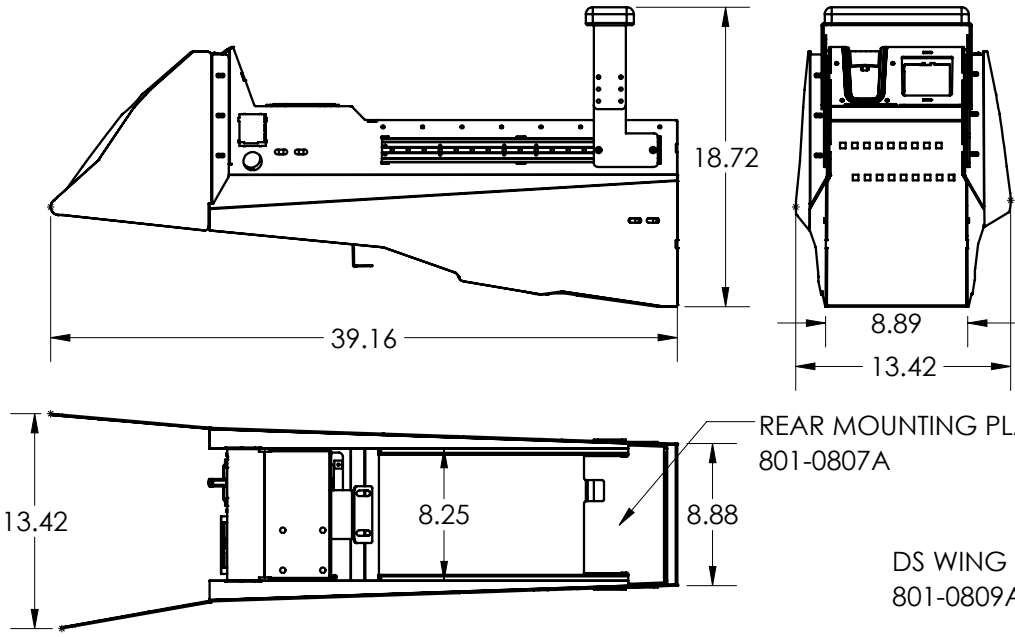


REV.	DESCRIPTION	DCR	BY	DATE	APPROVED
------	-------------	-----	----	------	----------



HARDWARE LIST			
ITEM NO.	DESCRIPTION	PART NUMBER	QTY
1	#10-32 x 3/8" RD Comb	401-0017	6
2	#10 FLAT WASHER	403-0007A	6
3	#10 LOCK WASHER	403-0010	6

DRAWN	NAME EB	DATE 16JAN23		DANDR-ANSI-A REV2 APRIL 1, 2009	SIZE A
CHECKED	AD	16JAN23		Path: M:\MECH_DESIGN\Emma Design\901-0182A 2022 Ford Explorer Civilian Console\ File: 901-0182A Date: January 16, 2023 11:14:48 AM	
THE INFORMATION CONTAINED WITHIN THIS DRAWING IS PROPRIETARY AND CONFIDENTIAL. AND IS THE SOLE PROPERTY OF DandR ELECTRONICS CO. LTD. IT MAY NOT BE REPRODUCED AT WHOLE OR IN PART WITHOUT THE WRITTEN PERMISSION OF DandR ELECTRONICS CO. LTD.			DESCRIPTION: 2022 FORD EXPLORER CIVILIAN CONSOLE		
FINISH BLACK MIDNIGHT WRINKLE			MFG. NO. 901-0182A	CATALOG. NO. XXX	SHEET 1 OF 1
			MATERIAL	REV.	0