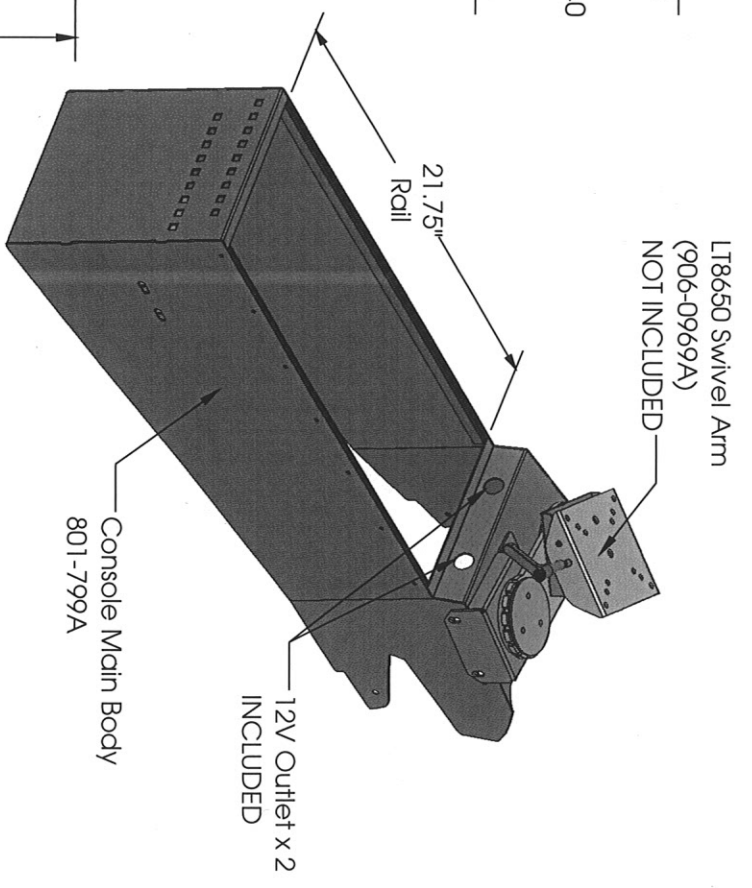
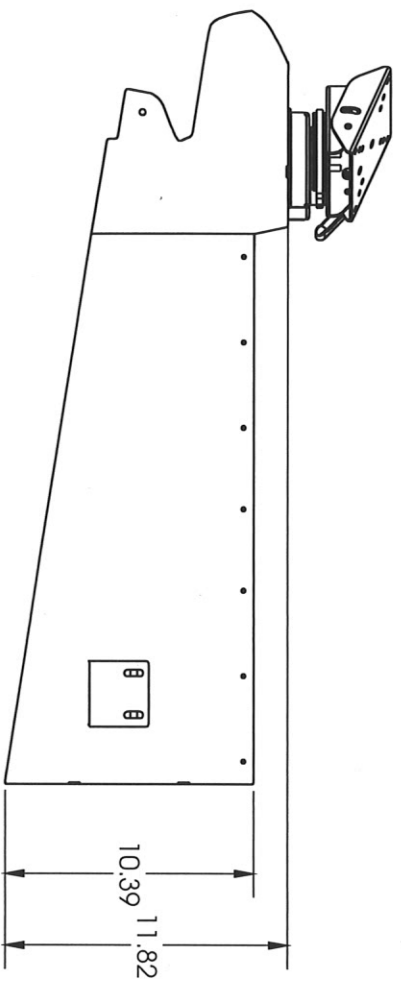
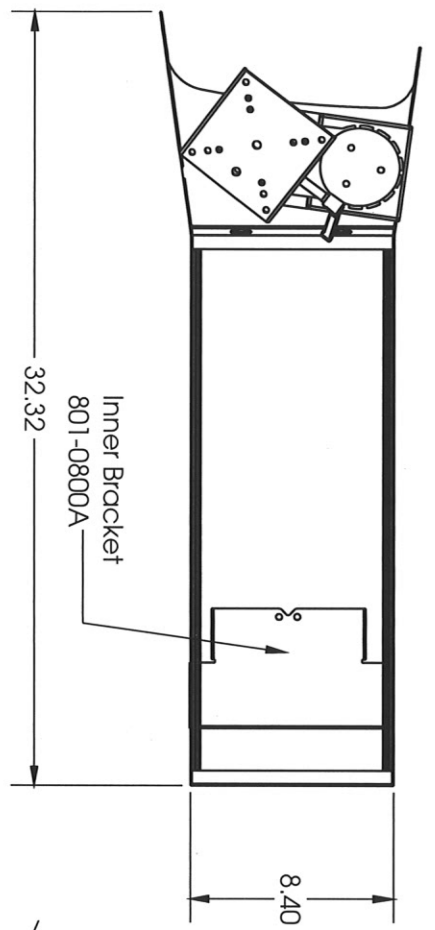


REV.	DESCRIPTION	DCR	BY	DATE	APPROVED



Hardware List

Item NO.	Description	Part Number	Qty
1	1/4-20 x 3/4" Carriage Bolt	401-0043	4
2	1/4 Flat Washer	403-0005A	4
3	1/4-20 Nyloc Nut	422-0009	4

DRAWN	NAME	DATE	DESCRIPTION
EB	EB	17SEP121	
CHECKED	AD	17SEP121	

THE INFORMATION CONTAINED WITHIN THIS DRAWING IS PROPRIETARY AND CONFIDENTIAL. AND IS THE SOLE PROPERTY OF DANDIR ELECTRONICS CO. LTD. IT MAY NOT BE REPRODUCED AT WHOLE OR IN PART WITHOUT THE WRITTEN PERMISSION OF DANDIR ELECTRONICS CO. LTD.

2021 DODGE DURANGO CONSOLE

Patn: M:\MECH\_DATA\901 Consoles\901-0178A 2021 Dodge Durango Console\1 File: 901-0178A Date: September 17, 2021 3:50:36 PM

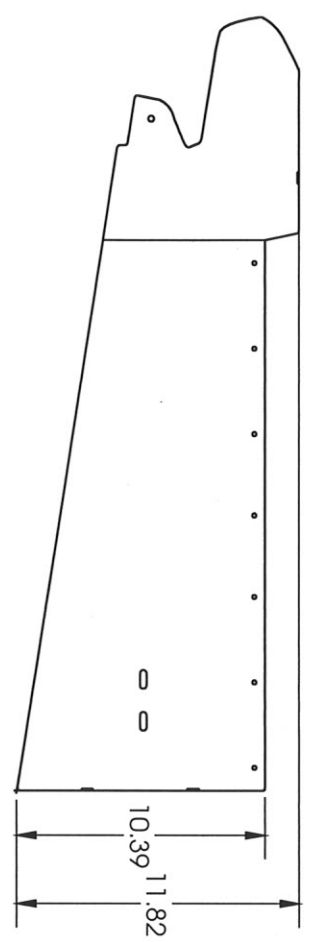
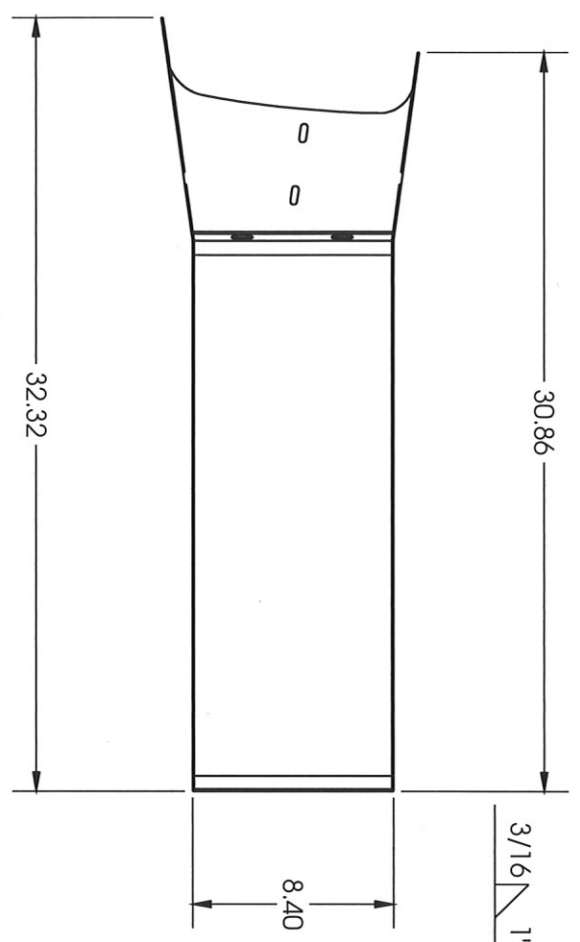
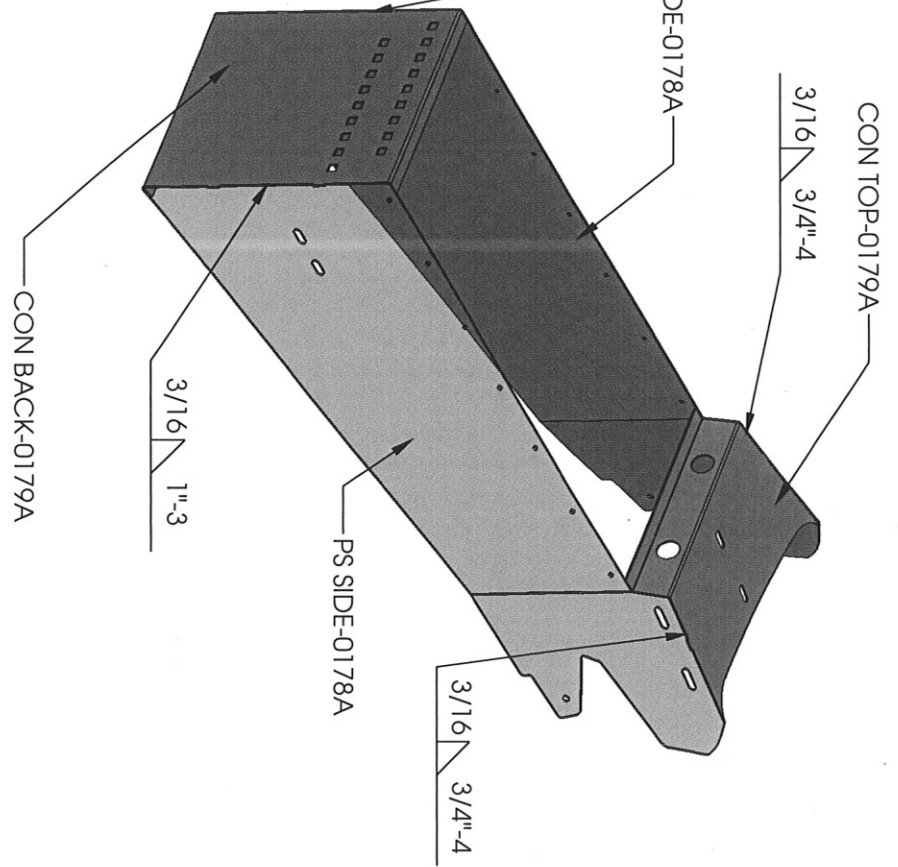
FINISH	MATERIAL	REV.
Black Midnight Wrinkle	0.075" CRS	0

DANDIR-ANSI-A  
REV2  
APRIL 1, 2009  
SIZE  
**A**

FIG. NO. **901-0178A**  
CATALOG. NO. **XXX**

SHEET 1 OF 1

REV.	DESCRIPTION	DCR	BY	DATE	APPROVED



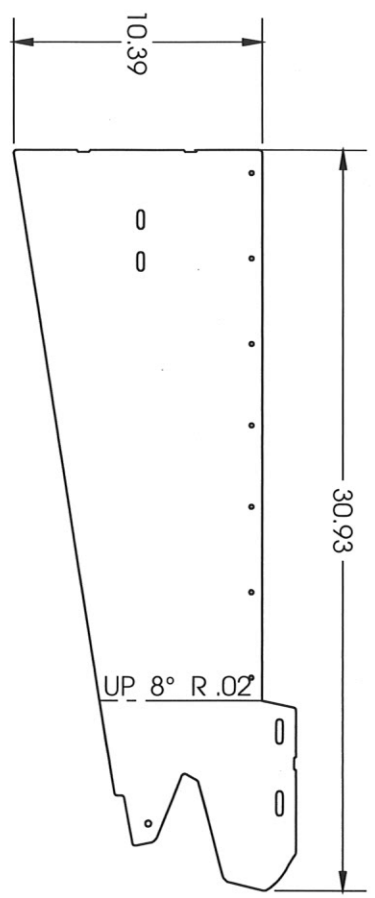
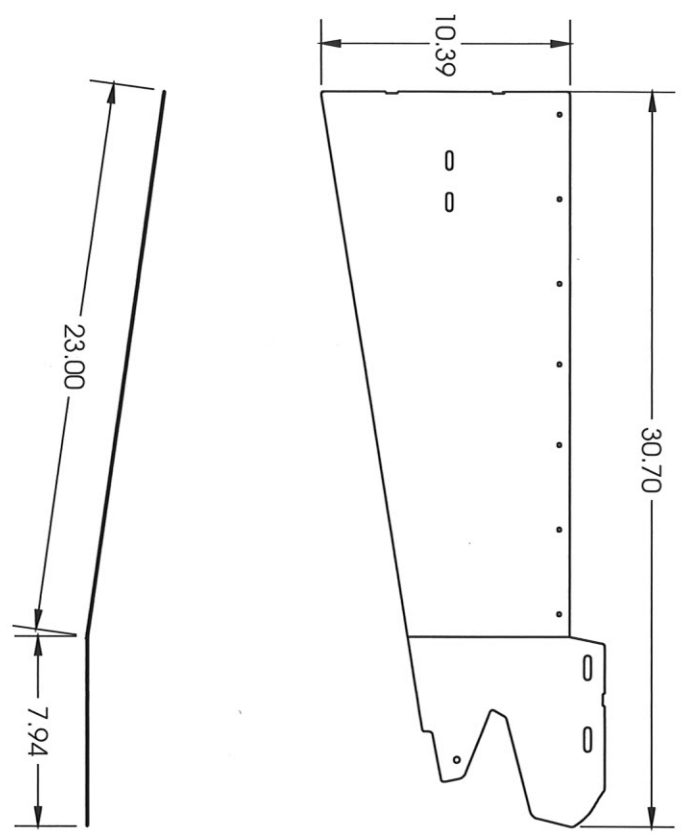
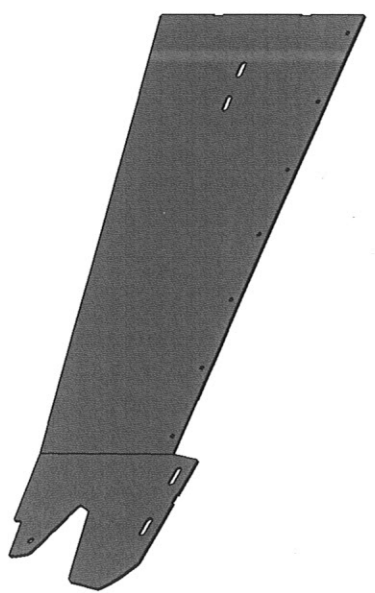
NAME	DATE	DESCRIPTION	SIZE
EB	17SEPT21	DRAWN	A
AD	17SEPT21	CHECKED	

Patn: M:\MECH\_DESIGN\Emmo Design\901-0178A.2021 Dodge Durango Console  
 File: 801-0179A  
 Date: September 17, 2021 12:33:22 PM

THE INFORMATION CONTAINED WITHIN THIS DRAWING IS PROPRIETARY AND CONFIDENTIAL. AND IS THE SOLE PROPERTY OF DANDR ELECTRONICS CO. LTD. IT MAY NOT BE REPRODUCED AT WHOLE OR IN PART WITHOUT THE WRITTEN PERMISSION OF DANDR ELECTRONICS CO. LTD.

2021 DODGE DURANGO WELDING ASSEMBLY  
 MFG. NO. **801-0799A**  
 USED ON: 901-0178A  
 CATALOG. NO. XXX  
 FINISH: BLACK MIDNIGHT WRINKLE  
 MATERIAL: XXga CRS  
 SHEET 1 OF 1  
 REV. **0**

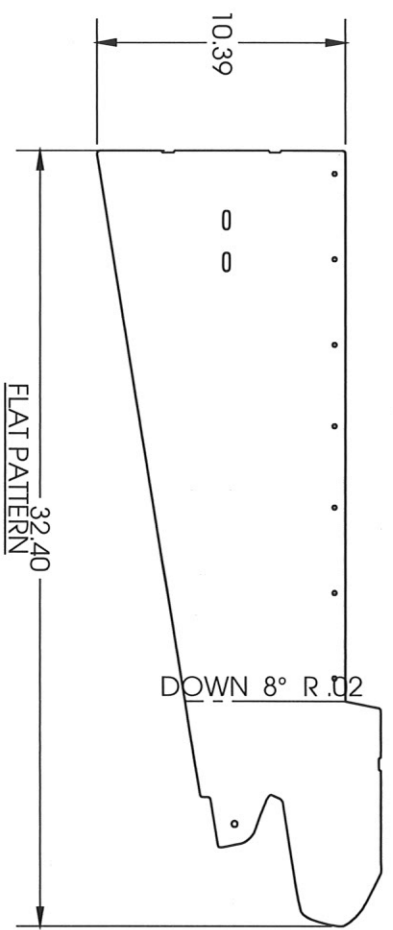
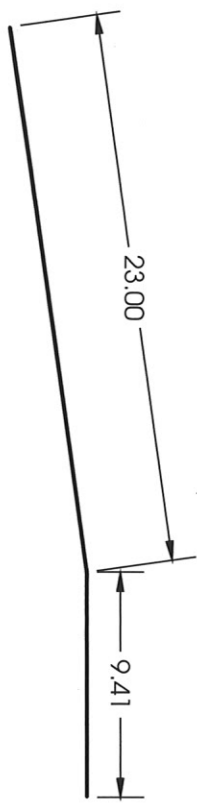
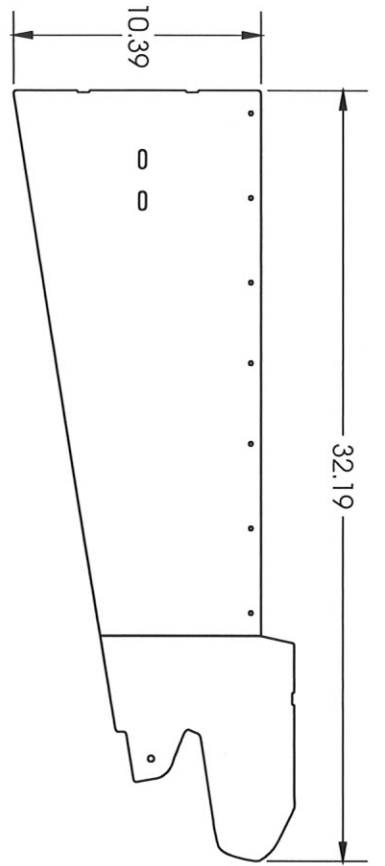
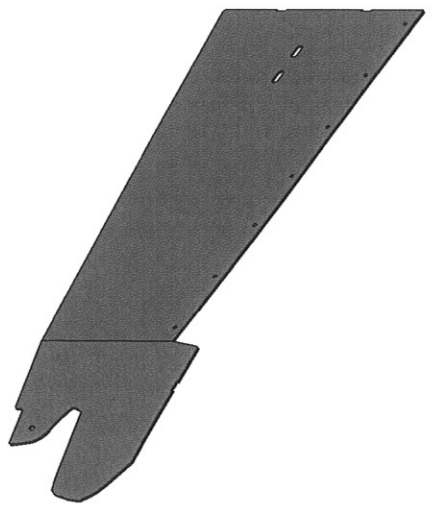
REV.	DESCRIPTION	DCR	BY	DATE	APPROVED



FLAT PATTERN

DRAWN		NAME	DATE	DANDR-ANSI-A	
CHECKED		AD	17SEP121	REV2	SIZE
				APRIL 1, 2009	A
THE INFORMATION CONTAINED WITHIN THIS DRAWING IS PROPRIETARY AND CONFIDENTIAL. AND IS THE SOLE PROPERTY OF DANDIR ELECTRONICS CO. LTD. IT MAY NOT BE REPRODUCED AT WHOLE OR IN PART WITHOUT THE WRITTEN PERMISSION OF DANDIR ELECTRONICS CO. LTD.					
PS SIDE - 2021 DODGE DURANGO CONSOLE Description:					
MFG. NO.		PS SIDE-0178A		CATALOG. NO.	
USED ON:		901-0178A		XXX	
MATERIAL		0.075" CRS		SHEET 1 OF 1	
FINISH				REV.	
				0	

REV.	DESCRIPTION	DCR	BY	DATE	APPROVED

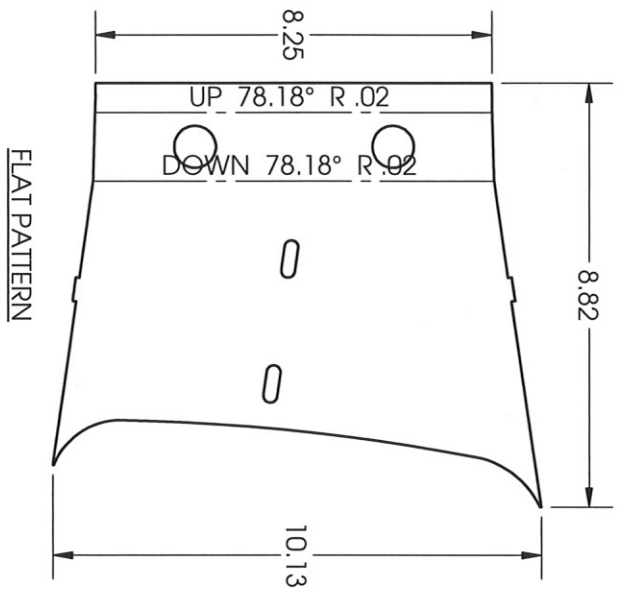
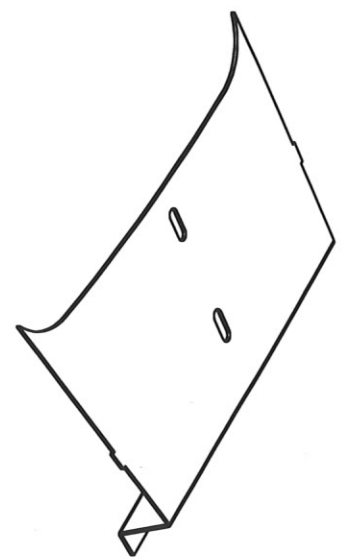
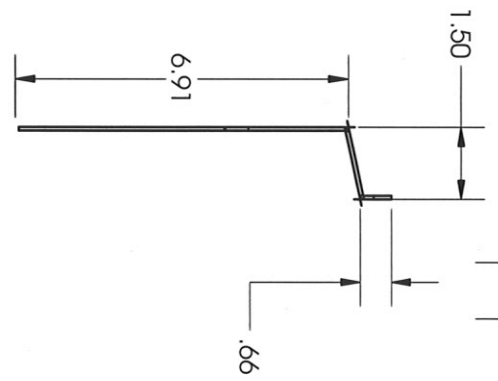
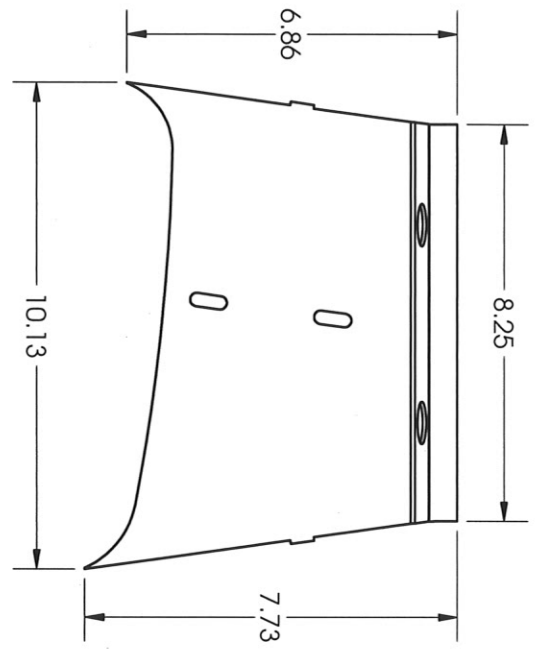


NAME	DATE	DESCRIPTION	SIZE
EB	17SEPT21		A
CHECKED	AD	17SEPT21	
THE INFORMATION CONTAINED WITHIN THIS DRAWING IS PROPRIETARY AND CONFIDENTIAL. AND IS THE SOLE PROPERTY OF DANDIR ELECTRONICS CO., LTD. IT MAY NOT BE REPRODUCED AT WHOLE OR IN PART WITHOUT THE WRITTEN PERMISSION OF DANDIR ELECTRONICS CO., LTD.			
MFG. NO. <b>DS SIDE-0178A</b>		DANDIR-ANSI-A REV2 APRIL 1, 2009	
USED ON: 901-0178A		CATALOG. NO. XXX	
MATERIAL 0.075" CRS		SHEET 1 OF 1	
FINISH		REV. 0	

Pdm: M:\MECH DESIGN\Erma Design\901-0178A.2021 Dodge Durango Console  
 File: DS SIDE-0178A  
 Date: September 17, 2021 10:33:15 AM

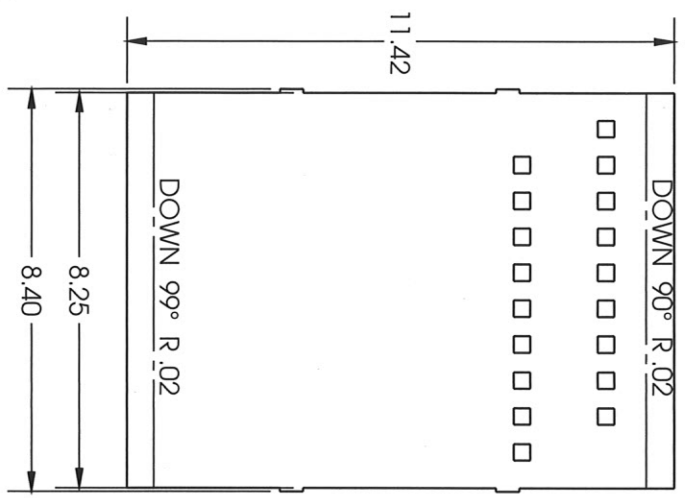
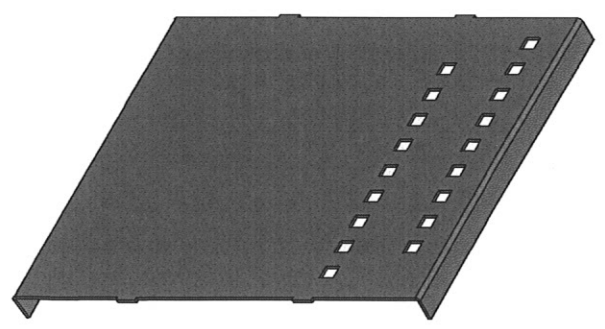
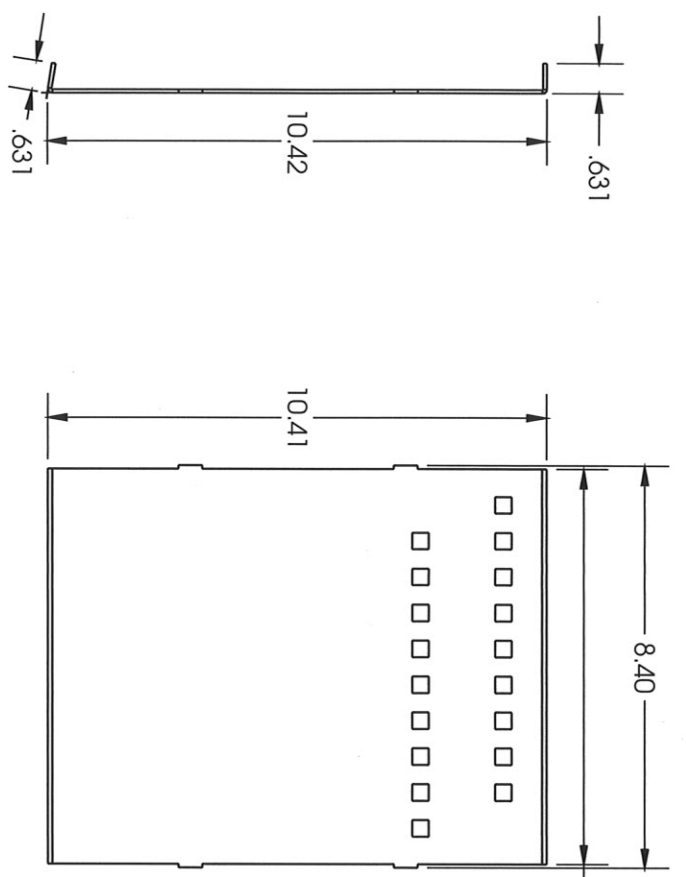
DESCRIPTION: DS SIDE - 2021 DODGE DURANGO CONSOLE

REV.	DESCRIPTION	DCR	BY	DATE	APPROVED



DRAWN	NAME	DATE	DESCRIPTION	SIZE
EB	EB	17SEP121	Patn: M:\MECH DATA\901 Consoles\901-0179A Dodge Durango Console with Stair	DANDR-ANSI-A
CHECKED	AD	17SEP121	Date: September 20, 2021 8:09:45 AM	REV2 APRIL 1, 2009 <b>A</b>
<p>THE INFORMATION CONTAINED WITHIN THIS DRAWING IS PROPRIETARY AND CONFIDENTIAL AND IS THE SOLE PROPERTY OF DANDR ELECTRONICS CO. LTD. IT MAY NOT BE REPRODUCED AT WHOLE OR IN PART WITHOUT THE WRITTEN PERMISSION OF DANDR ELECTRONICS CO. LTD.</p>				
<p>CONSOLE TOP - 2021 DODGE DURANGO</p>				
MFG. NO.		CATALOG. NO.		
CON TOP-0179A		XXX		
USED ON:				SHEET 1 OF 1
901-0179A				
MATERIAL:				REV.
0.075" CRS				0

REV.	DESCRIPTION	DCR	BY	DATE	APPROVED

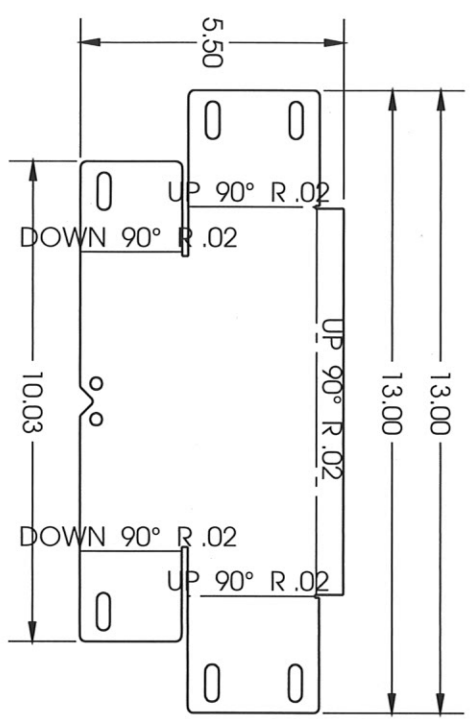
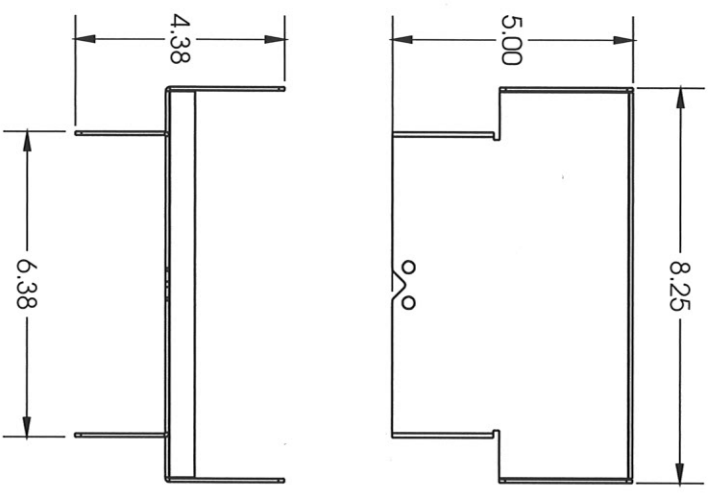
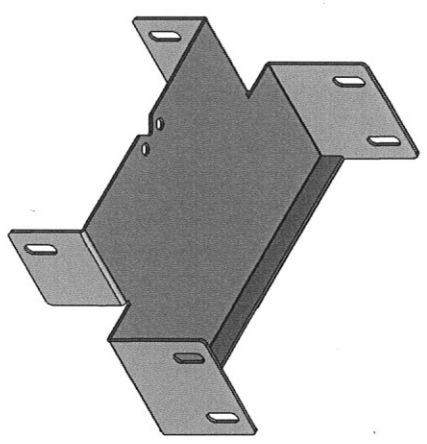
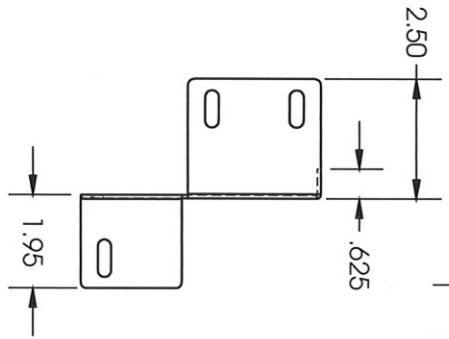


FLAT PATTERN

NAME	DATE	DESCRIPTION	SIZE
EB	17SEPT21	Part: M1 MECH DESIGN Emma Design\901-0179A Dodge Durango Console with Slider	A
CHECKED	AD	17SEPT21	
<p>THE INFORMATION CONTAINED WITHIN THIS DRAWING IS PROPRIETARY AND CONFIDENTIAL. IT IS THE SOLE PROPERTY OF DODGE ELECTRONICS CO. LTD. IT MAY NOT BE REPRODUCED AT WHOLE OR IN PART WITHOUT THE WRITTEN PERMISSION OF DODGE ELECTRONICS CO. LTD.</p>			
FINISH	MATERIAL	USED ON:	REV.
	0.075" CRS	901-0179A	0
CONSOLE BACK - 2021 DODGE DURANGO		CATALOG NO.	SHEET 1 OF 1
DRAWN		CON BACK-0179A	XXX
DATE		901-0179A	

Slide

REV.	DESCRIPTION	DCR	BY	DATE	APPROVED



FLAT PATTERN

DRAWN		EB	17SEPT21	DANDRANSI-A REV2 APRIL 1,2009		SIZE <b>A</b>
CHECKED		AD	17SEPT21	Part: File: 801-0800A Date: September 17, 2021 9:30:02 AM		DESCRIPTION: <b>INNER MOUNTING BRACKET - 2021 DODGE DURANGO CONSOLE</b>
<p>THE INFORMATION CONTAINED WITHIN THIS DRAWING IS PROPRIETARY AND CONFIDENTIAL AND IS THE SOLE PROPERTY OF DANDR ELECTRONICS CO. LTD. IT MAY NOT BE REPRODUCED AT WHOLE OR IN PART WITHOUT THE WRITTEN PERMISSION OF DANDR ELECTRONICS CO. LTD.</p>						
FINISH		BLACK MIDNIGHT WRINKLE		MFG. NO. <b>801-0800A</b>		CATALOG. NO. XXX
MATERIAL		0.075" CRS		USED ON: 901-0179A		SHEET 1 OF 1
REV.		0		REV.		0