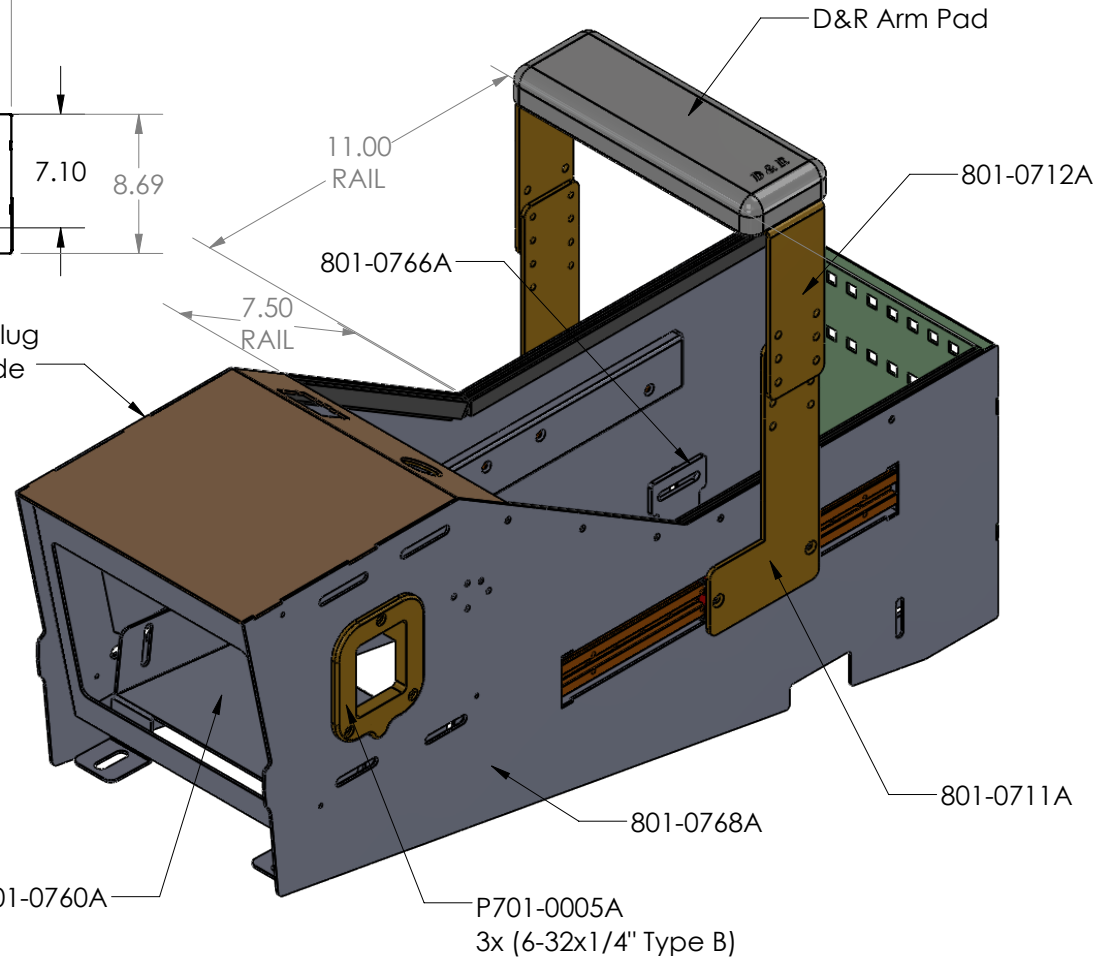
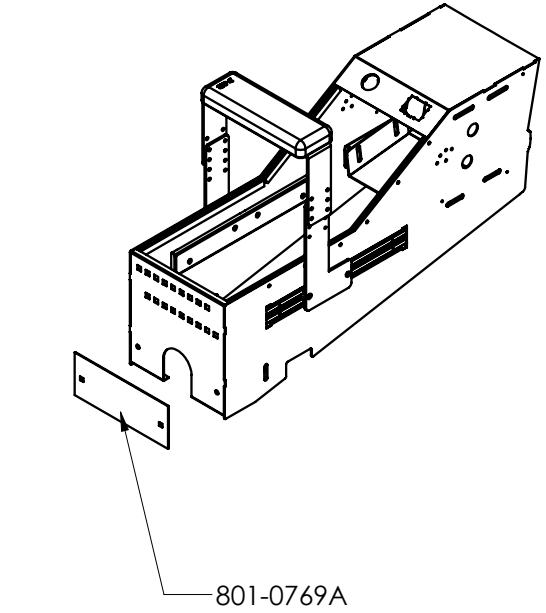


REV.	DESCRIPTION	DCR	BY	DATE	APPROVED



Hardware

	Description	Part Number	Quantity
1	6-32 x 1/4" TYPE B	401-0018A	10

<table border="1"> <thead> <tr> <th>NAME</th> <th>DATE</th> </tr> </thead> <tbody> <tr> <td>EB</td> <td>24MAR20</td> </tr> <tr> <td>AD</td> <td>24MAR20</td> </tr> </tbody> </table>	NAME	DATE	EB	24MAR20	AD	24MAR20		DANDR-ANSI-A REV2 APRIL 1, 2009	SIZE A
NAME	DATE								
EB	24MAR20								
AD	24MAR20								
Path: M:\MECH_DATA\901 Consoles\901-0168A 2020 Utility Long Console\ File: 901-0168A Date: Wednesday, March 25, 2020 8:41:44 AM		DESCRIPTION: 2020 Utility Long Console With Sliding Armrest							
THE INFORMATION CONTAINED WITHIN THIS DRAWING IS PROPRIETARY AND CONFIDENTIAL. AND IS THE SOLE PROPERTY OF DandR ELECTRONICS CO. LTD. IT MAY NOT BE REPRODUCED AT WHOLE OR IN PART WITHOUT THE WRITTEN PERMISSION OF DandR ELECTRONICS CO. LTD.		MFG. NO. 901-0168A	CATALOG. NO. XXX						
FINISH Black Midnight Wrinkle		USED ON: 9XX-XXXX	SHEET 1 OF 1 REV. 0						