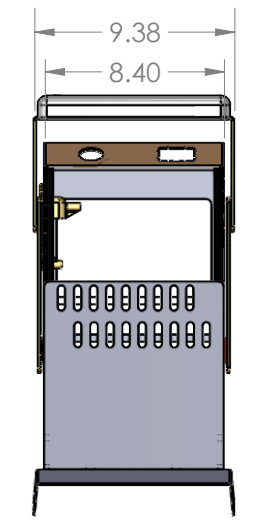
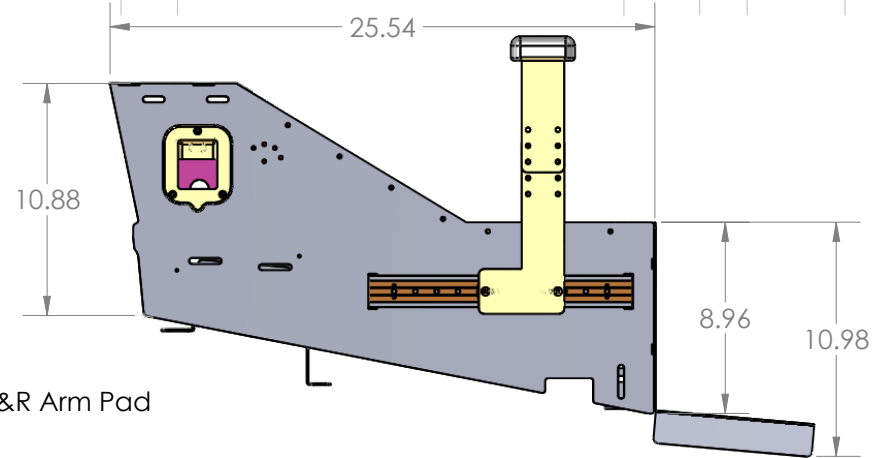
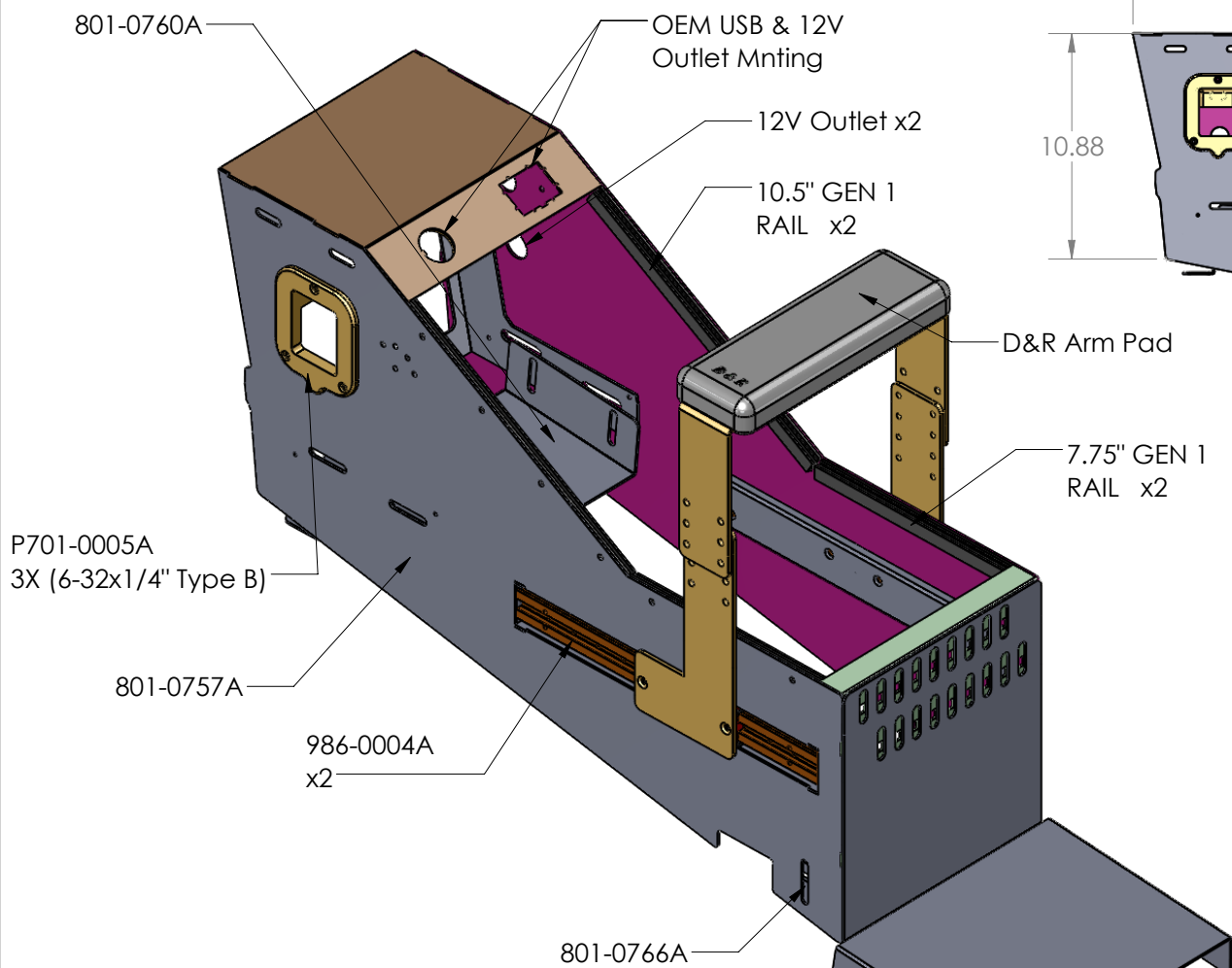


REV.	DESCRIPTION	DCR	BY	DATE	APPROVED
------	-------------	-----	----	------	----------



801-0767A  
**HARDWARE REQUIRED:**  
 5/16 X 3/4" Carriage Bolt x4  
 5/16 Nyloc Nut x4  
 5/16 Flat Washer x4

NOTE:VEHICLE MOUNTING  
 USED OEM HARDWARE

	Description	Part Number	Quantity
1	6-32 x 1/4" TYPE B	401-0018A	10

<table border="1"> <tr> <th>NAME</th> <th>DATE</th> </tr> <tr> <td>MS</td> <td>19SEPT19</td> </tr> <tr> <th>CHECKED</th> <th>DATE</th> </tr> <tr> <td>AD</td> <td>19SEPT19</td> </tr> </table>	NAME	DATE	MS	19SEPT19	CHECKED	DATE	AD	19SEPT19		DANDR-ANSI-A REV2 APRIL 1,2009	SIZE <b>A</b>
NAME	DATE										
MS	19SEPT19										
CHECKED	DATE										
AD	19SEPT19										
Path: \\server-fs.dandreelectronics.com\Mechanical\MECH_DATA\901 Consoles\901-0164A File: 901-0164A Date: Wednesday, March 04, 2020 2:15:05 PM		DESCRIPTION: <b>2020 Utility Contour Console          w/ Sliding Armrest</b>									
THE INFORMATION CONTAINED WITHIN THIS DRAWING IS PROPRIETARY AND CONFIDENTIAL. AND IS THE SOLE PROPERTY OF DandR ELECTRONICS CO. LTD. IT MAY NOT BE REPRODUCED AT WHOLE OR IN PART WITHOUT THE WRITTEN PERMISSION OF DandR ELECTRONICS CO. LTD.		MFG. NO. <b>901-0164A</b>	CATALOG. NO. <b>XXX</b>								
FINISH MIDNIGHT BLACK WRINKLE		USED ON: <b>9XX-XXXX</b>	SHEET 1 OF 1								
MATERIAL 0.075" CRS		REV. <b>0</b>									