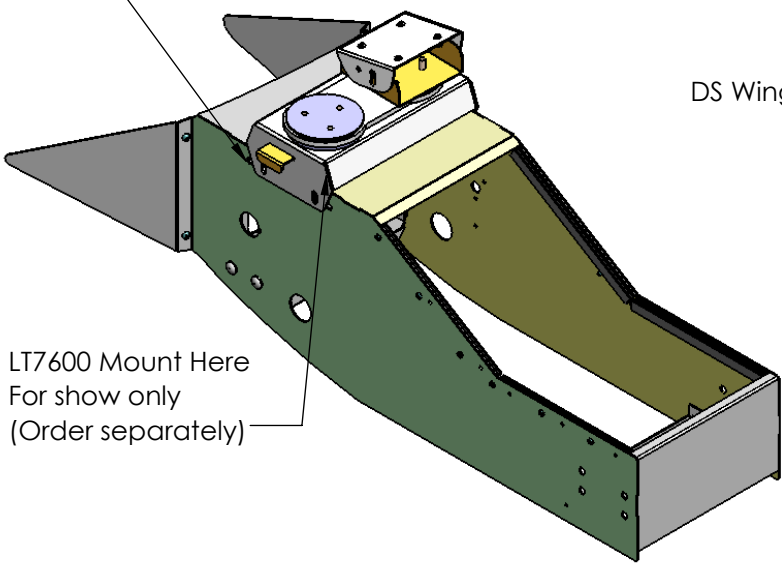
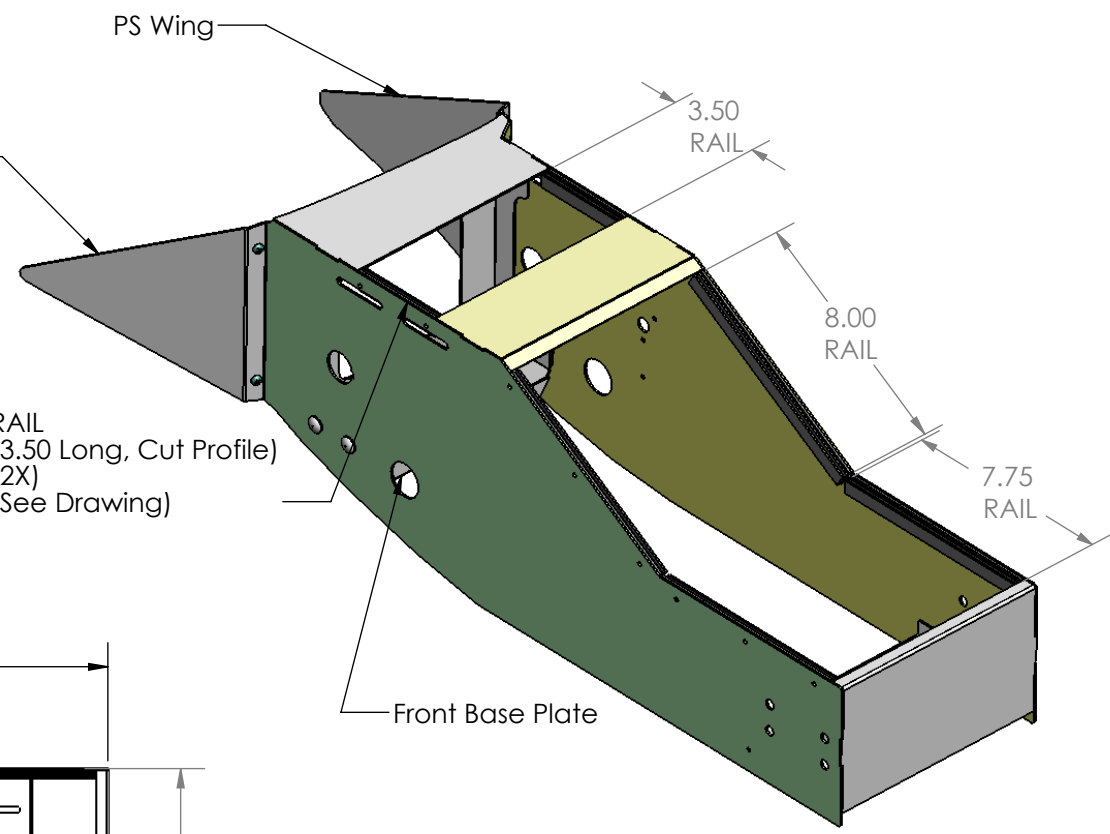


REV.	DESCRIPTION	BY	DATE	APPROVED

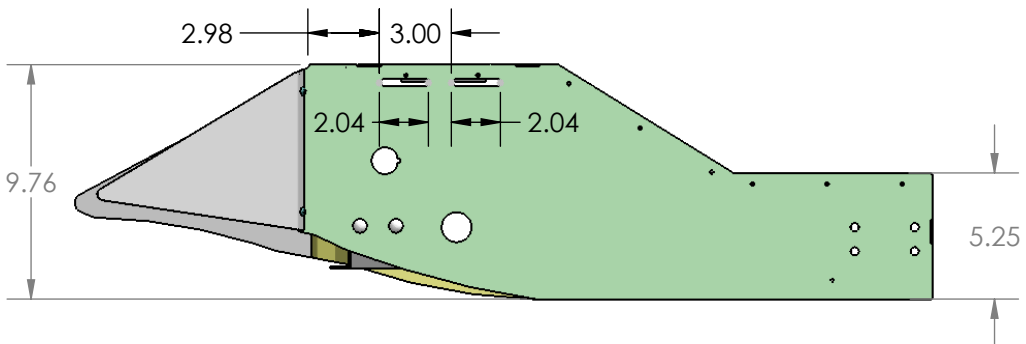
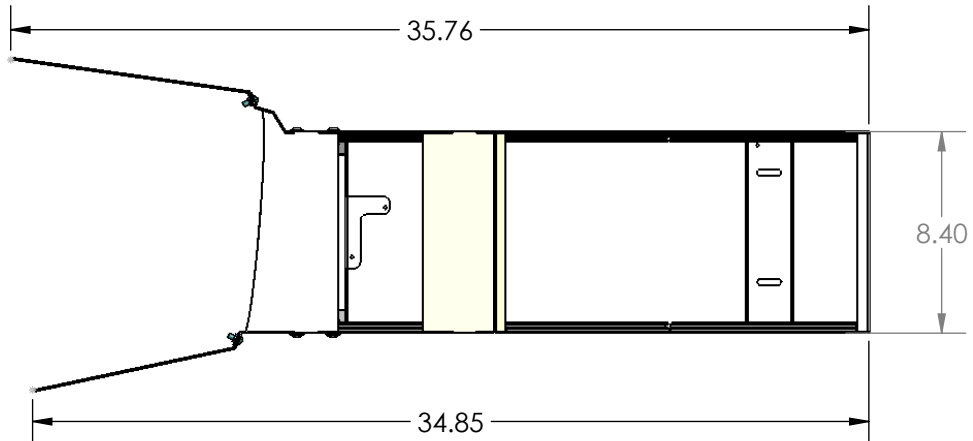
Note: 3.50" Rails, mounted using screws, must be removed in order to mount LT7600 Laptop Mount.



LT7600 Mount Here
For show only
(Order separately)



RAIL
(3.50 Long, Cut Profile)
(2X)
(See Drawing)



	NAME	DATE	 DANDR-ANSI-A REV2 APRIL 1, 2009	SIZE
DRAWN	MQ	19OCT17		A
CHECKED	AD	19OCT17	Path: Y:\M\MECH_DATA\901 Consoles\Charger 2011 Console D 901-0079A\901-0079B\901-0079B File: 901-0079B Date: Thursday, October 19, 2017 3:39:57 PM	
THE INFORMATION CONTAINED WITHIN THIS DRAWING IS PROPRIETARY AND CONFIDENTIAL AND IS THE SOLE PROPERTY OF DandR ELECTRONICS CO. LTD. IT MAY NOT BE REPRODUCED AT WHOLE OR IN PART WITHOUT THE WRITTEN PERMISSION OF DandR ELECTRONICS CO. LTD.			DESCRIPTION: Charger 2011 Modified Console D Angle Section 8"	
			MFG. NO. 901-0079B USED ON:	CATALOG. NO. XXX SHEET 1 OF 1
FINISH Midnight Black Wrinkle			MATERIAL	REV. 0