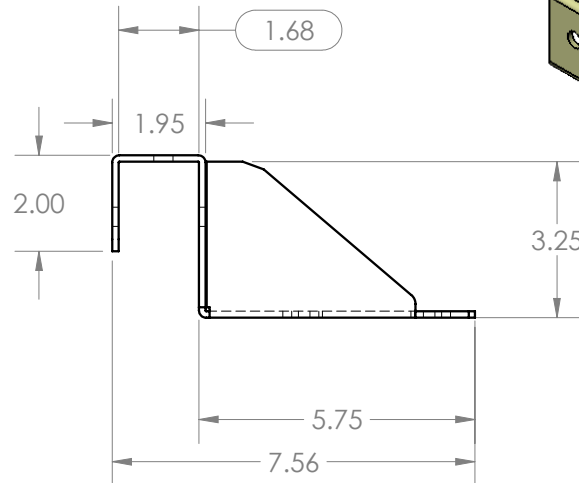
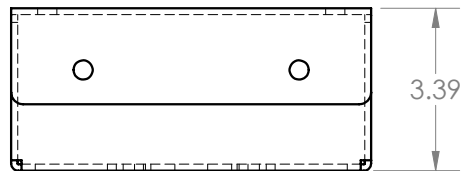
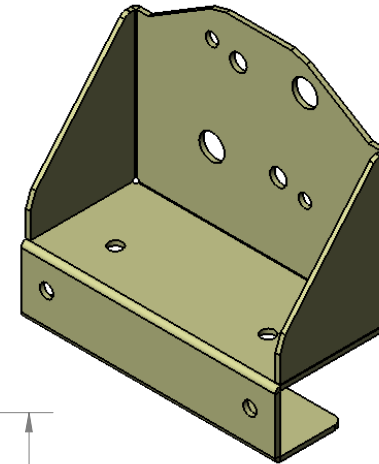
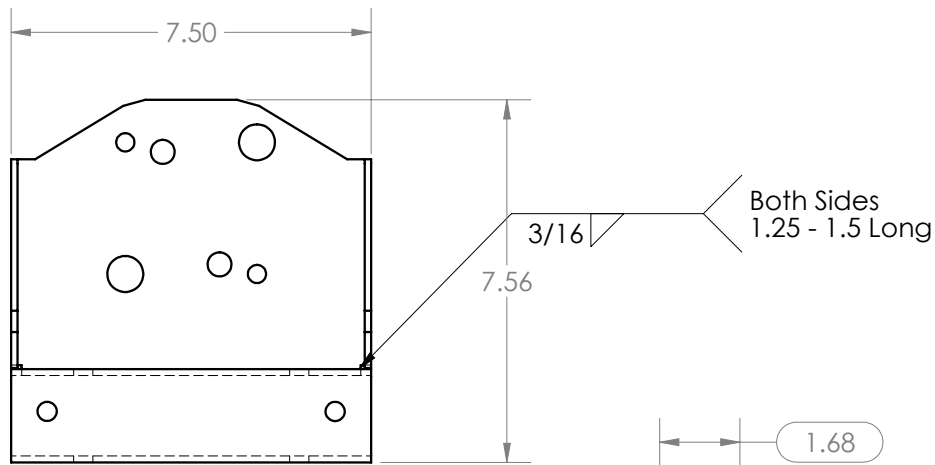
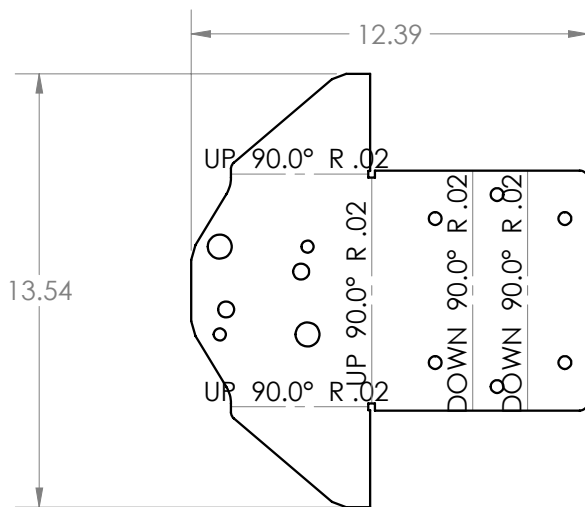


| REV. | DESCRIPTION               | DATE    | APPROVED |
|------|---------------------------|---------|----------|
| 1    | Add Hole for speaker wire | 7/11/12 | AD       |
| 2    | Added 1in to brkt depth   | 7/13/12 | AD       |



### HARDWARE LIST

| Item # | NAME                     | QTY |
|--------|--------------------------|-----|
| 1      | 3/8-16 x 1in Hex Bolt SS | 4   |
| 2      | 3/8 Flat Washer SS       | 8   |
| 3      | 3/8 NYLOC                | 4   |



FLAT PATTERN

|   |  |            |  |   |
|---|--|------------|--|---|
| DIMENSIONS ARE IN INCHES<br>TOLERANCES:<br>FRACTIONAL ± 1/32<br>ANGULAR: ± .10°<br>TWO PLACE DECIMAL ± .010<br>THREE PLACE DECIMAL ± .005 |  | NAME<br>BW | DATE<br>29MAY12  |   |
| MATERIAL<br>10ga CRS  | FINISH<br>Zinc Plate-<br>Semi-Gloss Black Ext. | CHECKED    | ENG APPR.  |   |
|   |  | MFG APPR.  | Q.A.   | <b>SPEAKER BKT,<br/>DRCS110 FOR PUSHBUMPER<br/>EcoBoost</b> |
|   |  | COMMENTS:  | Path: \\server-file\data\MECH ENG\MECH_DATA\935 Speaker Brackets\935-0067A<br>File: 935-0067A<br>Date: Wednesday, April 03, 2013 9:07:52 AM<br>SIZE DWG. NO. |   |
|   |  |            |  | <b>A</b> <b>935-0067A</b> <b>REV. 2</b>                     |
|   |  |            |  | USED ON:      SHEET 1 OF 1                                  |