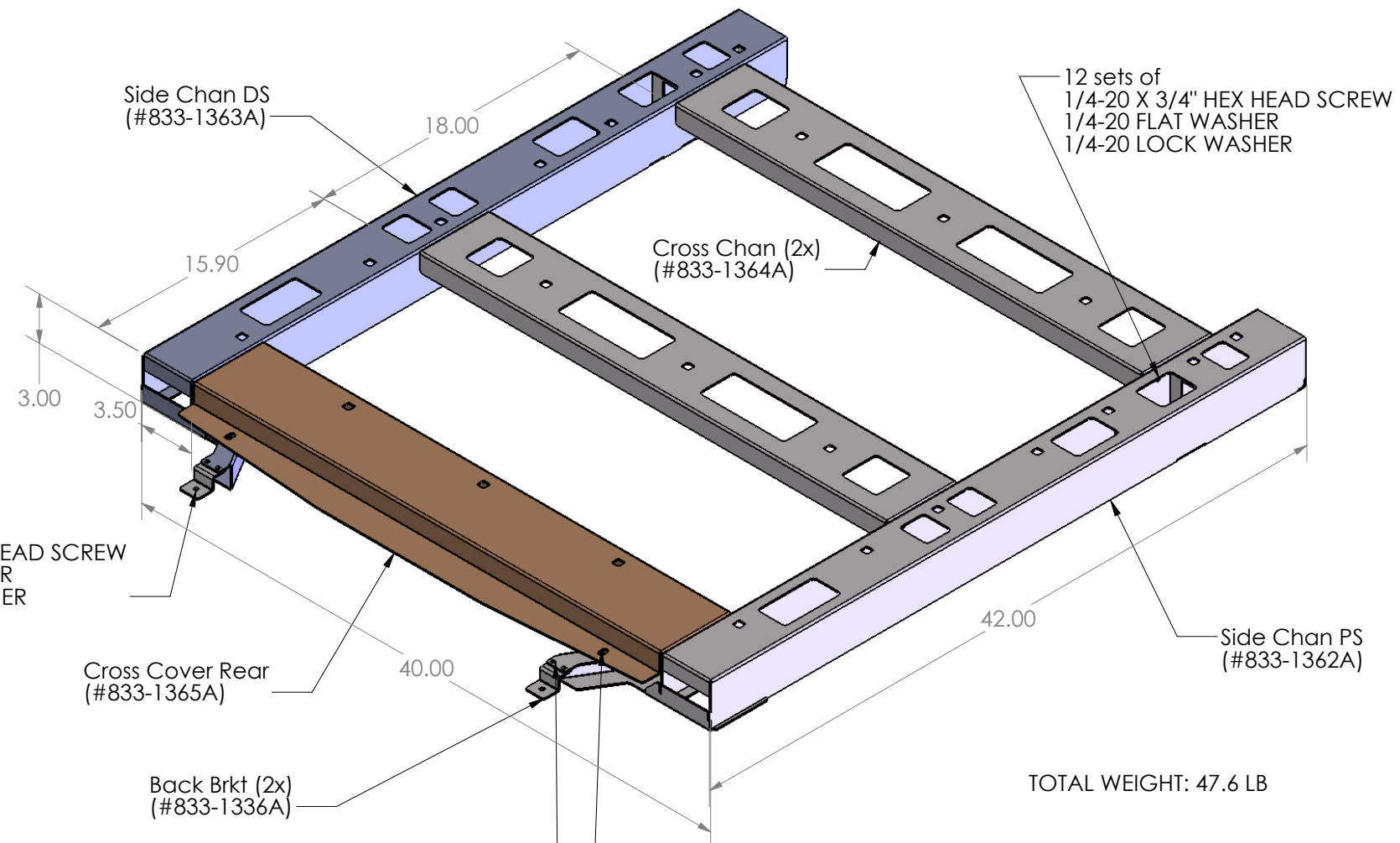


REV.	DESCRIPTION	BY	DATE	APPROVED



TOTAL WEIGHT: 47.6 LB

2 sets of
M6 X 1/2" HEX HEAD SCREW
M6 FLAT WASHER
M6 LOCK WASHER

Cross Cover Rear
(#833-1365A)

Back Brkt (2x)
(#833-1336A)

4 SETS OF
10-32 X 1/2" PHIL RD HEAD SCREW
10-32 FLAT WASHER
10-32 LOCK WASHER

2 sets of
1/4-20 X 3/4" HEX HEAD SCREW
1/4-20 FLAT WASHER
1/4-20 LOCK WASHER

4 NUT RETAINER 3/8-16
REQUIRED

	NAME	DATE	ELECTRONICS CO.	DANDR-ANSI-A	SIZE
DRAWN	MQ	16AUG12		REV2	APRIL 1, 2009
CHECKED			Path: Y:\MECH ENG\MECH_DESIGN\2013 Interceptor Explorer Full Size Cabinet Subframe\ File: 933-0099A Date: Thursday, August 16, 2012 11:54:47 AM		
THE INFORMATION CONTAINED WITHIN THIS DRAWING IS PROPRIETARY AND CONFIDENTIAL. AND IS THE SOLE PROPERTY OF DandR ELECTRONICS CO. LTD. IT MAY NOT BE REPRODUCED AT WHOLE OR IN PART WITHOUT THE WRITTEN PERMISSION OF DandR ELECTRONICS CO. LTD.			2013 Interceptor Explorer Full Size Cabinet Subframe		
FINISH			MFG. NO.	CATALOG. NO.	
Midnight Black Wrinkle			933-0099A	XXX	
MATERIAL			USED ON:		SHEET 1 OF 1
12 ga CRS					REV. 0