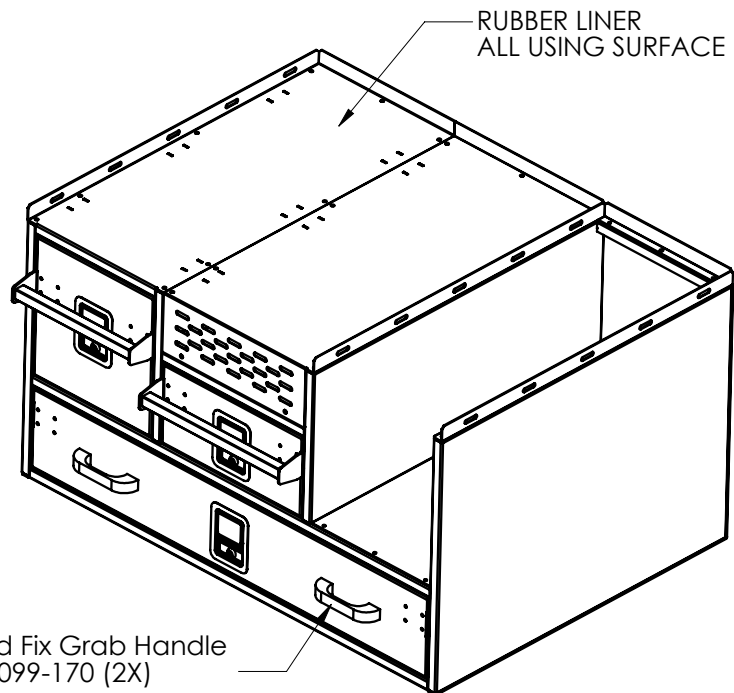
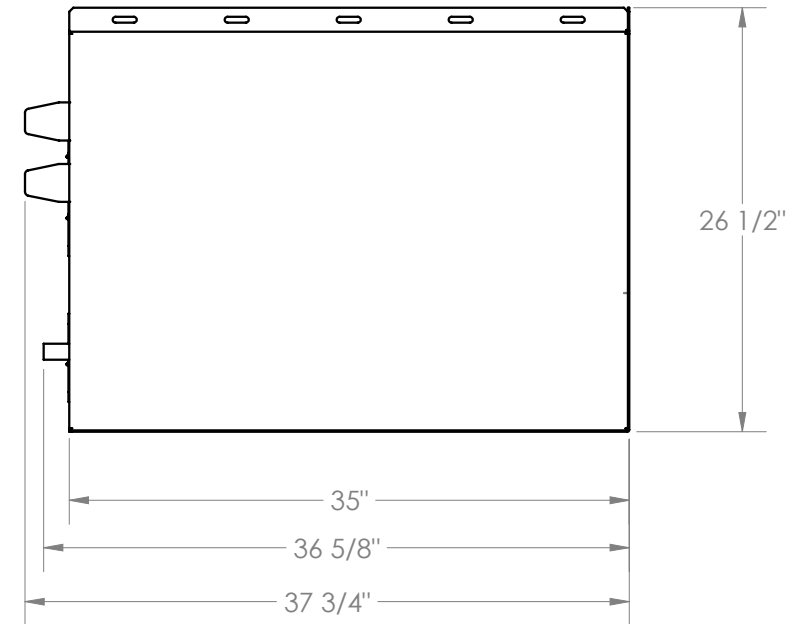
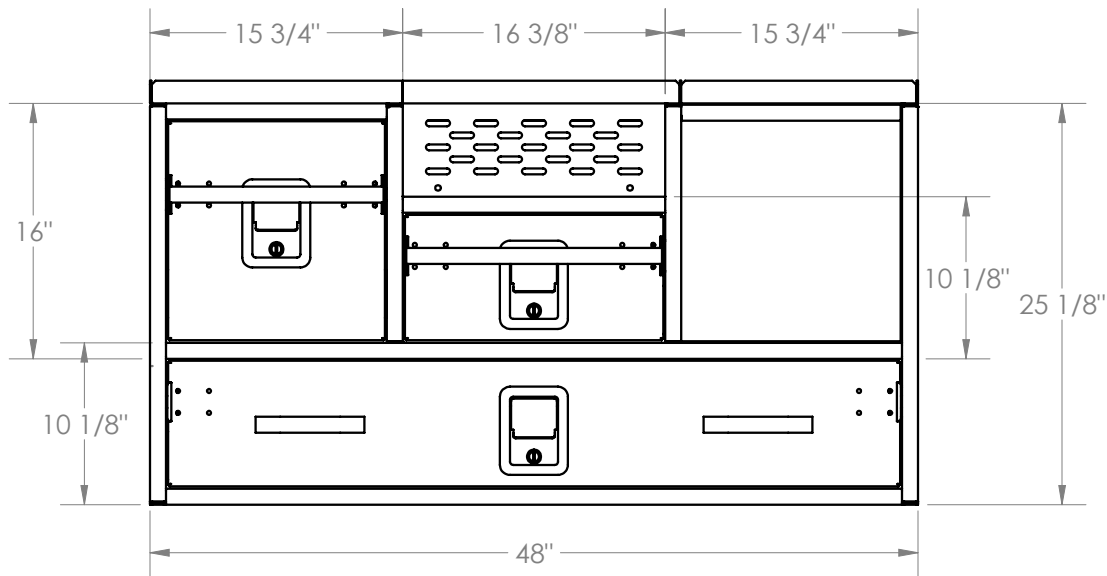


REV.	DESCRIPTION	DATE	APPROVED



3 PAIRS OF HEAVY DUTY SLIDE C3320-32

DIMENSIONS ARE IN INCHES TOLERANCES: FRACTIONAL $\pm 1/32$ ANGULAR: $\pm .10^\circ$ TWO PLACE DECIMAL $\pm .010$ THREE PLACE DECIMAL $\pm .005$	NAME	DATE	
	DRAWN	MQ	
	CHECKED		
	ENG APPR.		
MATERIAL	Q.A.		<b>LENEXA TAHOE 2012 STORAGE SYS</b>
FINISH	COMMENTS:	Path: Y:\MECH ENG\MECH_DESIGN\Lenexa Tahoe 2012 Storage Sys\Bottom Cot File: 934-0528A Date: Monday, May 07, 2012 3:52:51 PM SIZE DWG. NO.	
Midnight Black Wrinkle			<b>A</b> <b>934-0528A</b> <b>0</b>
			USED ON:      SHEET 1 OF 1