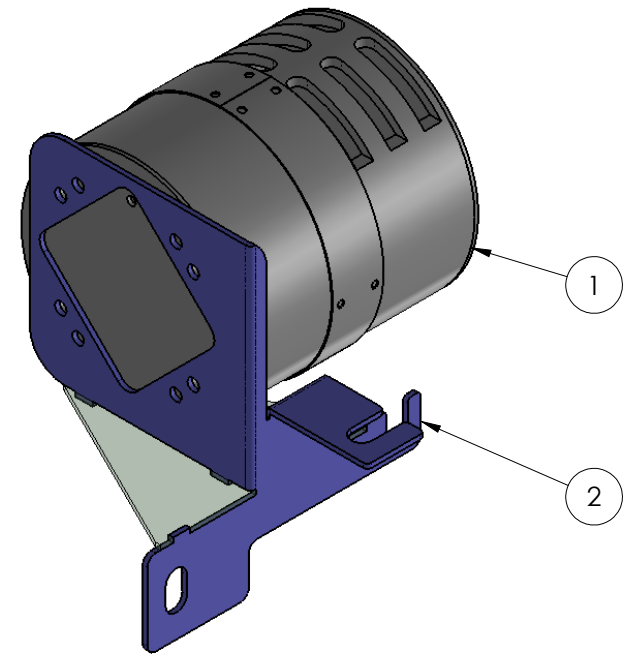


SECTION A-A

REV.	DESCRIPTION	BY	DATE	APPROVED



ITEM NO.	PART NUMBER	DESCRIPTION	QTY.
1	935-0080A	Thunder Speaker Assembly	1
2	835-0038A	Ford 150 Thunder Bracket Weldment	1

NAME	DATE	FILE	REV	DATE	SIZE
VM	03/03/17	935-0086A	2	APRIL 1, 2009	A
AD	03/03/17	Path: Y:\M\MECH_DATA\910 Light and Siren Systems\Thunder\ File: 935-0086A Date: Thursday, March 16, 2017 4:22:04 PM			
Ford F150 Thunder Speaker Holder Assembly					
THE INFORMATION CONTAINED WITHIN THIS DRAWING IS PROPRIETARY AND CONFIDENTIAL. AND IS THE SOLE PROPERTY OF DandR ELECTRONICS CO., LTD. IT MAY NOT BE REPRODUCED AT WHOLE OR IN PART WITHOUT THE WRITTEN PERMISSION OF DandR ELECTRONICS CO., LTD.		MFG. NO. 935-0086A		CATALOG. NO.	
FINISH Black Semi-Gloss Ext.		MATERIAL SEE TABLE		SHEET 1 OF 1 REV. 0	