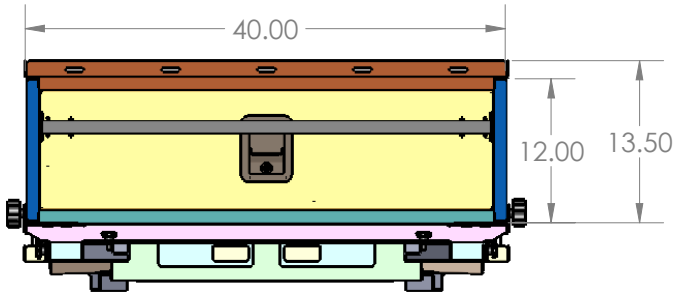
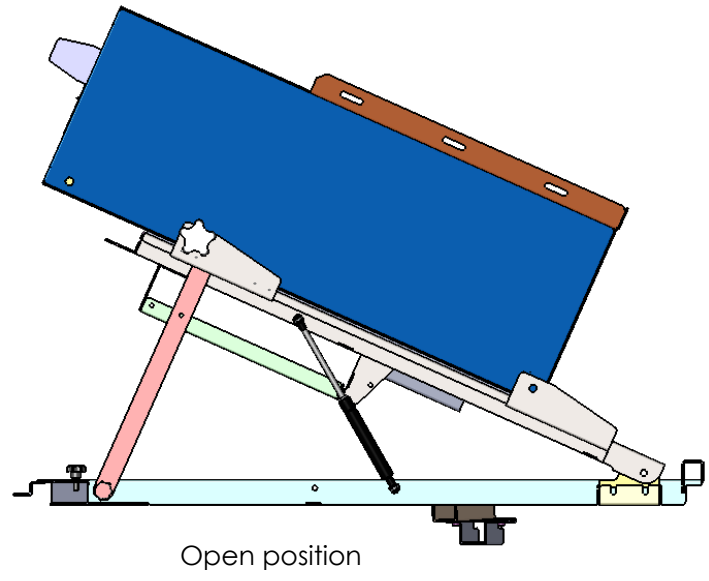
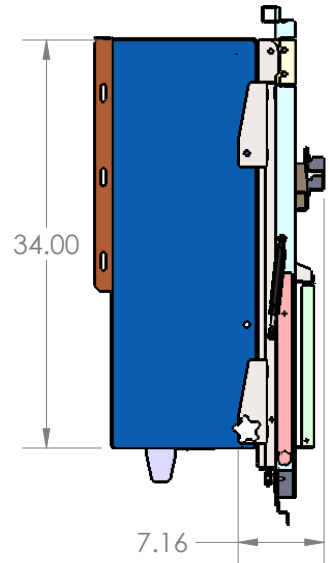
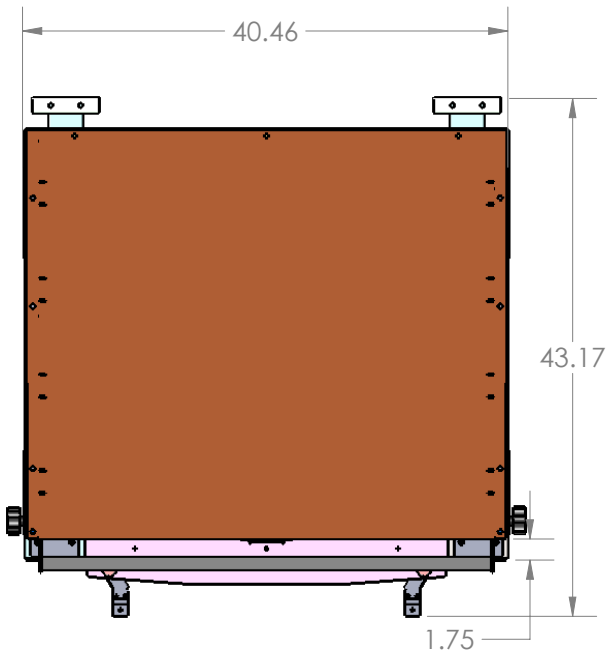
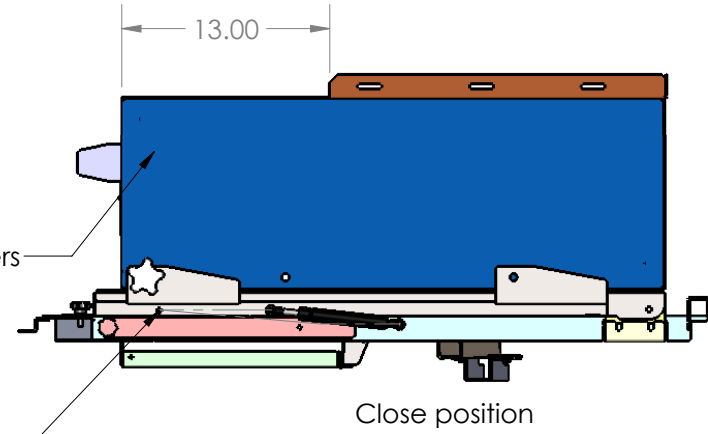


REV.	DESCRIPTION	BY	DATE	APPROVED



934-0756A
Custom Cabinet
40"W x 34"D x 12"H
With 3 Horizontal Dividers



933-0113A
Liftable Subframe

DRAWN	NAME MQ	DATE 25MAY16	ELECTRONICS CO., LTD. DANDR-ANSI-A REV2 APRIL 1, 2009	SIZE A
CHECKED	AD	25MAY16		Path: C:\Max Design Reference\Refer\933-0113A Explorer2014 Liftable Subframe\ File: Cabinet 40x34x12 on 933-0113A Date: Wednesday, May 25, 2016 9:56:52 AM
THE INFORMATION CONTAINED WITHIN THIS DRAWING IS PROPRIETARY AND CONFIDENTIAL. AND IS THE SOLE PROPERTY OF DandR ELECTRONICS CO. LTD. IT MAY NOT BE REPRODUCED AT WHOLE OR IN PART WITHOUT THE WRITTEN PERMISSION OF DandR ELECTRONICS CO. LTD.			DESCRIPTION: Cabinet 40" x 34" x 12" On Ford 2016 Explorer Liftable Subframe	
FINISH Midnight Black Wrinkle			MFG. NO. Cabinet 40x34x12 on 933-0113A	CATALOG. NO.
			USED ON:	SHEET 1 OF 1
			MATERIAL Alum/ 12 ga CRS	REV. 0