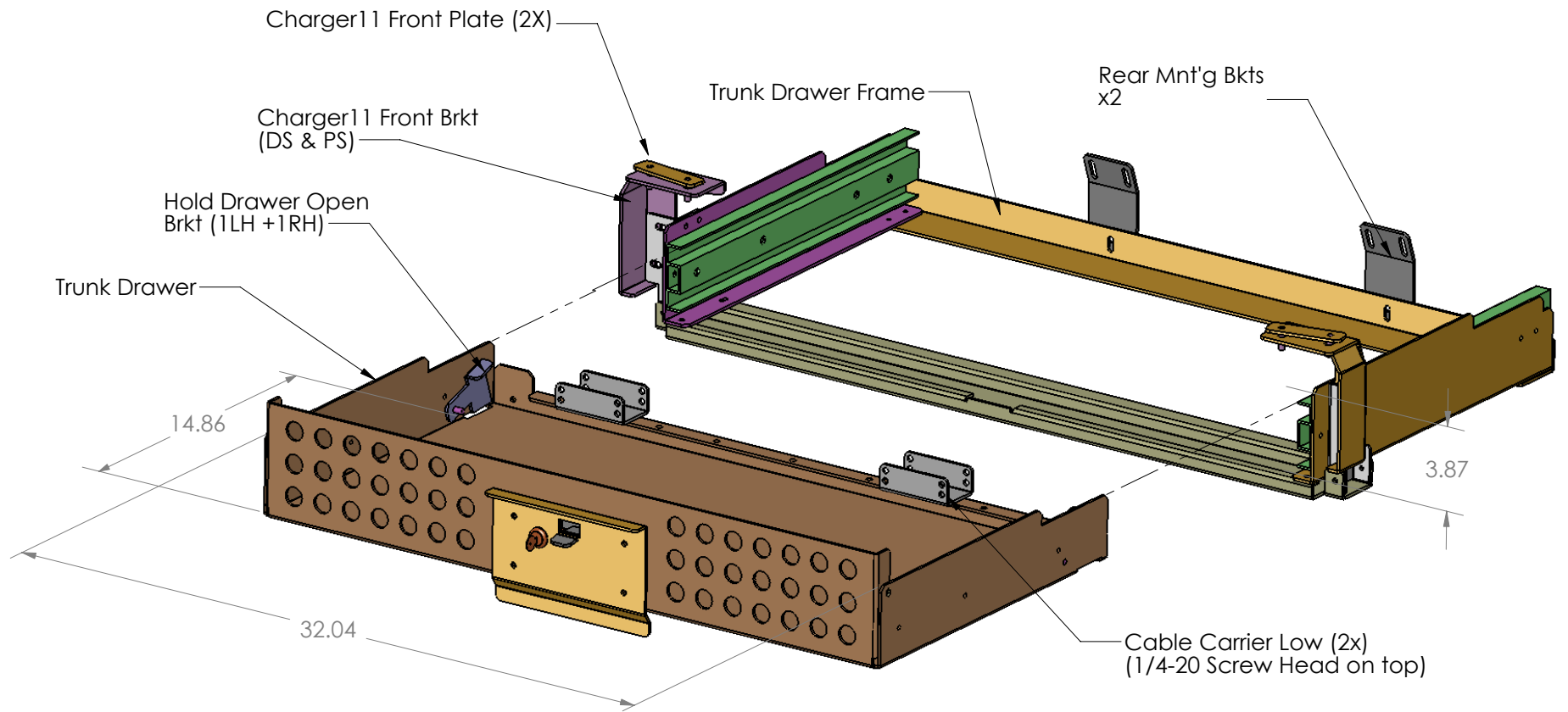


REV.	DESCRIPTION	DATE	APPROVED



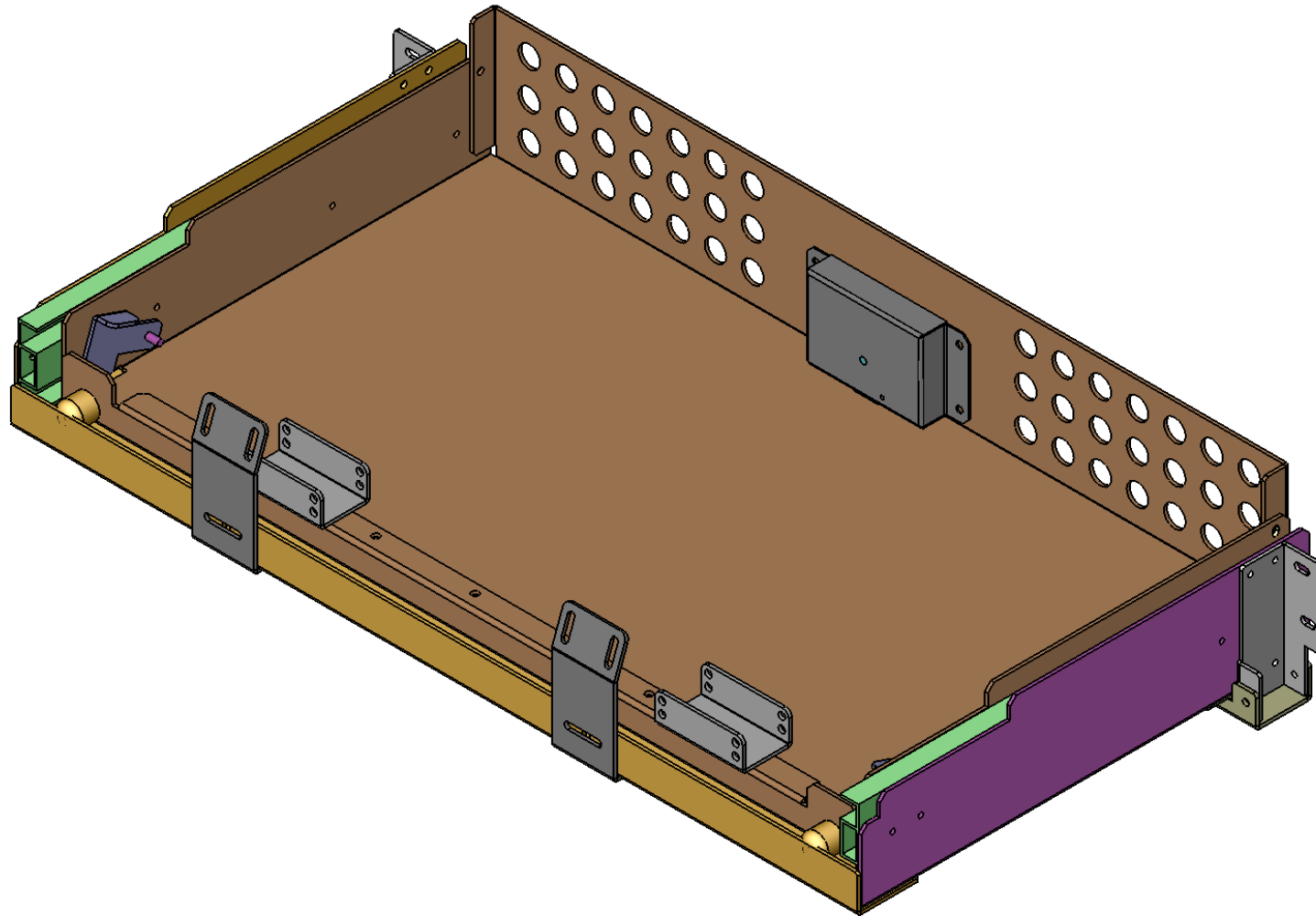
NOTE:
 ALL CRS POWDER COAT: MIDNIGHT BLACK WRINKLE
 ALL ALUM. NATURAL FINISH.


HARDWARE LIST:

1. 10 - CARRIAGE BOLT 1/4-20 X 3/4"
2. 14 - 1/4-20 FLAT WASHER
3. 14 - 1/4-20 NYLOC NUTS

DIMENSIONS ARE IN INCHES TOLERANCES: FRACTIONAL $\pm 1/32$ ANGULAR: $\pm .10^\circ$ TWO PLACE DECIMAL $\pm .010$ THREE PLACE DECIMAL $\pm .005$		NAME MQ	DATE	
MATERIAL	FINISH	DRAWN	CHECKED	
		ENG APPR.	MFG APPR.	Charger 2011 Trunk Drawer Fit Spare Tire
		Q.A.	COMMENTS:	
		Path: M:\MECH_DATA\932 Trunk Drawers\Charger11 Trunk Drawer Fit Spare Tire\ File: 932-0015A Date: Wednesday, August 17, 2011 9:03:59 AM SIZE DWG. NO.		
		USED ON:		REV. 0 SHEET 1 OF 2

REV.	DESCRIPTION	DATE	APPROVED



DIMENSIONS ARE IN INCHES TOLERANCES: FRACTIONAL $\pm 1/32$ ANGULAR: $\pm .10^\circ$ TWO PLACE DECIMAL $\pm .010$ THREE PLACE DECIMAL $\pm .005$	NAME	DATE		DANDR-ANSI-A REV1 APRIL 23, 2007	
	DRAWN	MQ			
	CHECKED			Charger 2011 Trunk Drawer Fit Spare Tire	
	COMMENTS:				
MATERIAL	Path: M:\MECH_DATA\932 Trunk Drawers\Charger11 Trunk Drawer Fit Spare Tire\ File: 932-0015A Date: Wednesday, August 17, 2011 9:03:59 AM				
FINISH	SIZE	DWG. NO.	REV.		
	A	932-0015A	0		
	USED ON:	SHEET 2 OF 2			