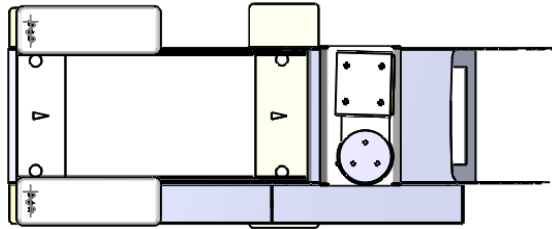


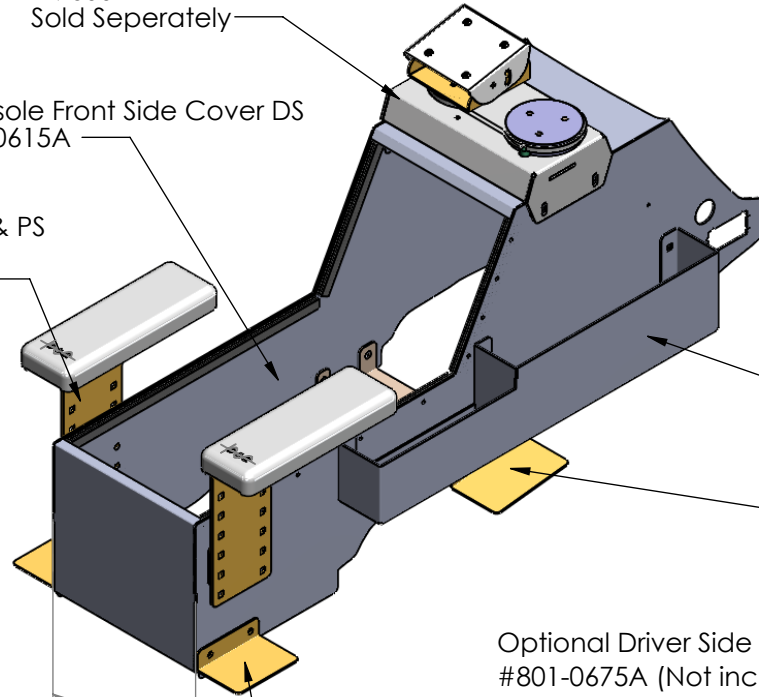
REV.	DESCRIPTION	BY	DATE	APPROVED



LT7600  
Sold Separately

Console Front Side Cover DS  
801-0615A

Console Mnt DS & PS  
Armrest  
Sold Separately



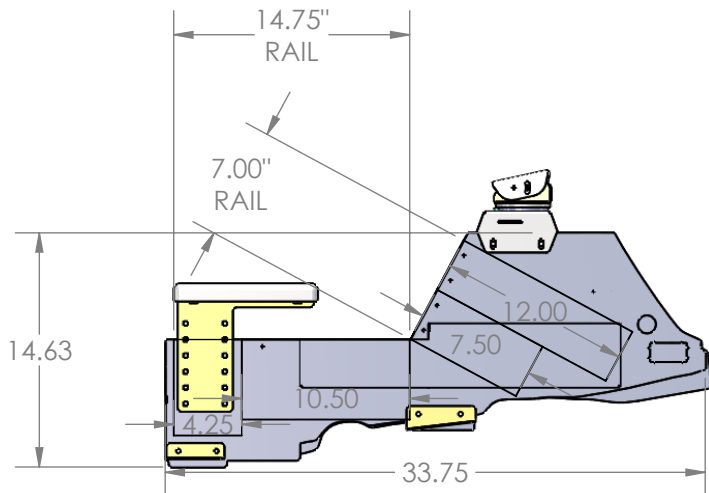
Console  
Side Pocket  
801-0614A

Console Front  
Side Cover PS  
801-0616A

Optional Driver Side Pocket  
#801-0675A (Not included)

8.40

Console Rear Side Cover  
801-0617A



	NAME	DATE	 DANDR-ANSI-A REV2 APRIL 1, 2009	SIZE <b>A</b>
DRAWN	JV	7MAY15		
CHECKED	AD	7MAY15	Path: Y:\M\MECH_DESIGN\2015 F150 Contour Console 2\ File: 901-0135A Date: September-09-16 7:33:15 AM DESCRIPTION: <b>2015 F150 Contour Console With LT7600 Option</b>	
THE INFORMATION CONTAINED WITHIN THIS DRAWING IS PROPRIETARY AND CONFIDENTIAL. AND IS THE SOLE PROPERTY OF DandR ELECTRONICS CO. LTD. IT MAY NOT BE REPRODUCED AT WHOLE OR IN PART WITHOUT THE WRITTEN PERMISSION OF DandR ELECTRONICS CO. LTD.			MFG. NO. <b>901-0135A</b>	CATALOG. NO. <b>XXX</b>
FINISH Midnight Black Wrinkle			MATERIAL 14 ga CRS	USED ON: SHEET 1 OF 1
			REV. <b>0</b>	