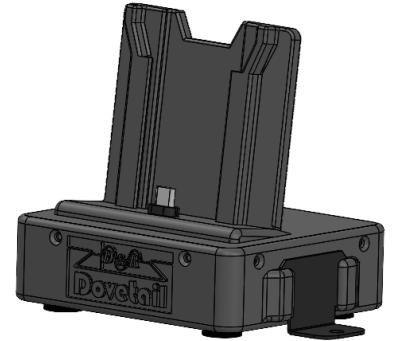


# Dovetail Desktop Docking Station (622-0010-01-02)

## Technical Specification Sheet

### Specifications

D&R's Dovetail Desktop Docking Station provides users with a terminal where the transition from the vehicle to the desk can be made seamlessly. This docking station utilizes D&R's patented rail system to allow users to take full advantage of Samsung's Dex function with the compatible device they have been assigned. Providing charging and the connection of multiple USB peripherals this docking station provides replacement for the traditional desktop computer



### Technical Specification

- Overall dimensions: 5.71" Wide X 4.36" Tall, 3.60" Depth
- 1 X USB 3.0 port
- 2 X USB 2.0 ports
- Ethernet port for network connectivity
- Device Charging through USB C using 5V wall adapter
- HDMI port (HD 1080p)



### Key Features and Benefits

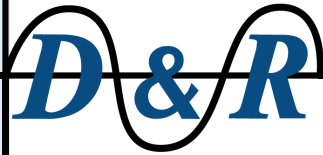
- Allow users to sit and work at any work station with their mobile device
- Bolt down brackets allow for permanent installation on any flat surface
- Multiple USB accessories can be plugged in
- Small overall footprint

Docking Stations

Canada: 8820

George Bolton Pkwy. Bolton, ON L7E 2Y4 — Toll-Free: 800-538-7338  
USA: 2299 Kenmore Ave. Building 3, Doors 11-14, Buffalo, NY 14207

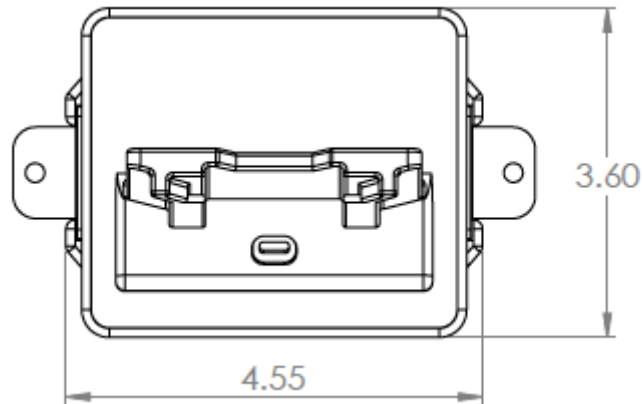
[www.dandrelectronics.com](http://www.dandrelectronics.com)



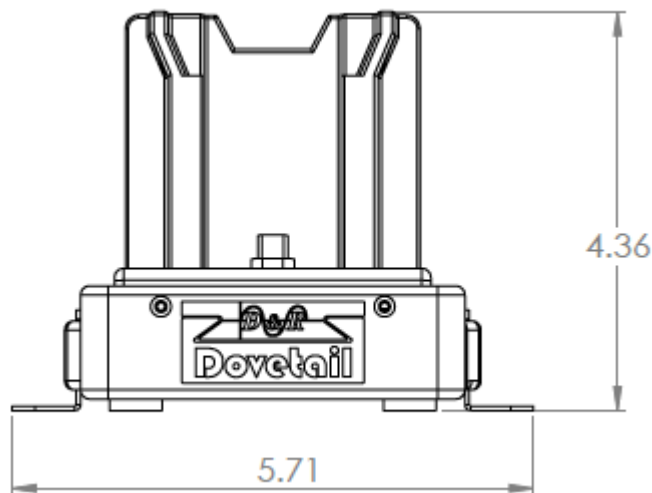
# Dovetail Desktop Docking Station (622-0010-01-02)

## Technical Specification Sheet

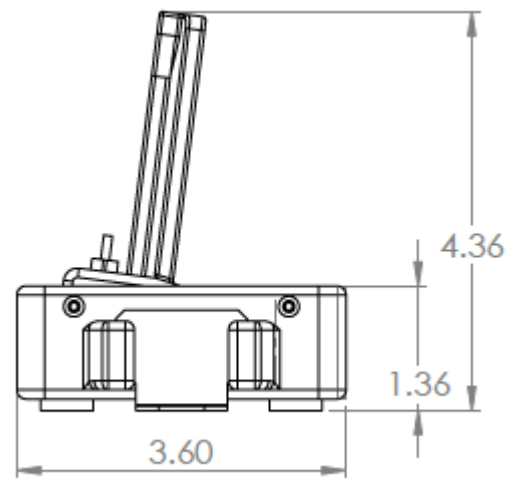
### Dimensions



TOP VIEW



FRONT VIEW



SIDE VIEW

Docking Stations